

# ROPER RHODES<sup>®</sup>

BATH





DESIGNED BY US.  
TAILORED BY YOU.

ROPER RHODES®  
BATH



# CONTENTS

---

## GETTING STARTED



- 06 Our story
- 08 Designed by us. Tailored by you
- 10 How to get the fitted look
- 12 Choosing your perfect bathroom
- 14 Plan your bathroom
- 16 9 simple steps to fitted furniture



Roper Rhodes

# FITTED FURNITURE PRODUCTS

## FITTED FURNITURE

- 20 Elan
- 34 Burford
- 62 Aruba

## ADDING THE FINISHING TOUCHES

- 86 Handles
- 88 Worktops
- 90 Integrated basins & worktops
- 92 Basins & WCs
- 102 Flushing solutions
- 106 Taps
- 110 Mirrors
- 114 Cabinets
- 118 Lighting

## PRICING, TECHNICAL & USEFUL INFORMATION

- 122 Pricing & technical drawings
- 148 Customer service & aftercare



All prices are inclusive of VAT at 20%



*Roper Rhodes Fitted Furniture*

## FOR A BATHROOM DESIGNED AROUND YOU

As a company, we're obsessed with creating the perfect bathroom space however big or small. Create yours with our wide range of customisation options and make room for what matters with our clever storage solutions. From design to finish-discover bathroom furniture that fits you.



*Designed by us, tailored by you*

### CHOICE

Entirely customisable, our cabinetry is available in a full suite of colours and configurations, with a wide range of hardware to suit.



*Bathrooms that are built to last*

### QUALITY

Engineered and tested extensively, our furniture carries an industry-leading 10-year guarantee.



*Designed in the home of bathing*

### PROVENANCE

Founded and still based in the historic spa city of Bath, our products are shaped by over 45 years of industry experience.



GUARANTEE  
Furniture, Taps,  
Mirrors & Cabinets



GUARANTEE  
Ceramics



*Roper Rhodes*

## DESIGNED BY US. TAILORED BY YOU.

---

Fitted furniture is all about taking the space you have and making it reach its full potential. Unrestricted and completely customisable, fitted furniture gives you the flexibility & storage you need, with the style you love.

Whether you live in a Victorian townhouse, an ultra-modern apartment, or something a little more unusual, our boundless combinations of fitted furniture styling options give you the ability to create a bathroom that feels uniquely and effortlessly 'you'.

What will you be...



### *Be Elegant*

A PLAY OF OLD & NEW

A well-known design reimagined for the modern home; Elan combines a clean, contemporary facade with classic frame detailing. This versatile collection offers abundant storage and invites a wide range of customisation options.



### *Be Timeless*

INSPIRED BY TRADITION

Discover the timeless look and feel of traditional carpentry, with all the advantages of fitted furniture in our Burford range. Keep things classic or add a more contemporary twist with this versatile collection of shaker-style furniture.





## *Be Modern*

CLEAN & CONTEMPORARY

Made for the modern home, Aruba's sleek, slab doors and sophisticated styling sets it apart. Aruba offers effortless style in a wide range of on-trend finishes.

THE CHOICE IS YOURS...

*Be inspired ...*

## HOW TO GET THE FITTED LOOK *with Zoe Jones*



### BE INSPIRED

Our in-house stylist Zoe gives you her tips on how to style fitted furniture.

Fitted furniture is all about mixing and matching to create a unified look. First, choose the perfect base like our Elan furniture in Powder Grey, and then accessorise to inject your own style. We've chosen timeless elements such as our Ritual circular mirror and the smooth curves of our Widcombe sanitaryware, and paired these with contemporary black accessories to keep it feeling fresh.



@roperrhodes



*'Why not try bringing together contrasting textures with rustic woods, brass accessories, or ceramic tiles in modern designs?'*

### BE A PART OF IT

Be a part of our community by tagging us in a photo of your finished project with **#roperrhodes**, and you might just feature in our next brochure!



@ourlittlechurchcottage



## TAILOR YOUR LOOK

Don't forget the finishing touches. Customise your look with our extensive range of mirrors, cabinets, taps and sanitaryware.

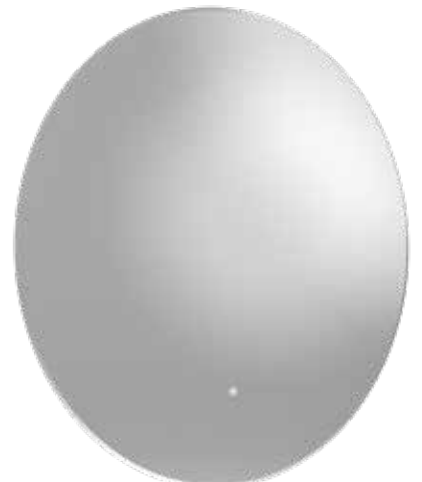


Round basin  
page 95



Storm-nova tap  
page 106

Ritual circular mirror  
page 111



Hudson black handle  
page 87



Widcombe back to  
wall WC  
page 98



Plan your bathroom ...

## CHOOSING YOUR PERFECT BATHROOM

Roper Rhodes fitted furniture is full of choice and bespoke features.

Follow our guide below for a quick overview and understanding of how to create your very own Roper Rhodes fitted furniture bathroom. A more detailed planning guide can be found on pages 16-17.



### BE INSPIRED

Before beginning your journey, why not check out Instagram, Pinterest or the pages of this brochure to be inspired by our roomset designs and layouts.



### PLAN YOUR SPACE

Explore your existing bathroom space. Consider any wasted areas which could be maximised with the addition of storage units. We recommend installing your WC unit in a similar position to the current WC to minimise installation costs. Our free swatch sample service makes it easy to choose the right finish for your home. Simply fill out the form on our website to order your own at [roperrhodes.co.uk/swatches/](https://roperrhodes.co.uk/swatches/)

## CHOOSE A STYLE OF UNIT

We have three stunning furniture styles to choose from; from the elegant looking Elan, the timeless looking Burford or the pared-back modern style of Aruba. See pages 20-83 for further details.



ELEGANT

ELAN



TIMELESS

BURFORD



MODERN

ARUBA

## ACCESSORIES

Choose from our wide range of handles, worktops and taps to give your bathroom units a bespoke look and feel. See pages 84-121 for all handle & worktop options.

## COMPLETE YOUR BATHROOM

Complete the design of your new bathroom by choosing from our collection of stylish basins & WCs as well as coordinating taps and elegant mirrors and cabinets. See pages 84-121 for options.

## SPECIALIST ADVICE

Speak to your local Roper Rhodes bathroom specialist for further advice on layouts and design, as well as assistance in ordering and installation. Find your nearest retailer on our website now. [roperrhodes.co.uk/stockists/](http://roperrhodes.co.uk/stockists/)



## HERE FOR YOU

Even after you've completed your Roper Rhodes Bathroom, we'll still be here to assist with anything you need.

Product after care, guarantees and access to our customer service team are all available to you, as well as technical support across our website.

For further assistance in planning your bathroom please visit our website to see our Bathroom Buying Guide [roperrhodes.co.uk/bathroom-buying-guides/](http://roperrhodes.co.uk/bathroom-buying-guides/)

Your choice. Your style. Your colour ...

## PLAN YOUR BATHROOM

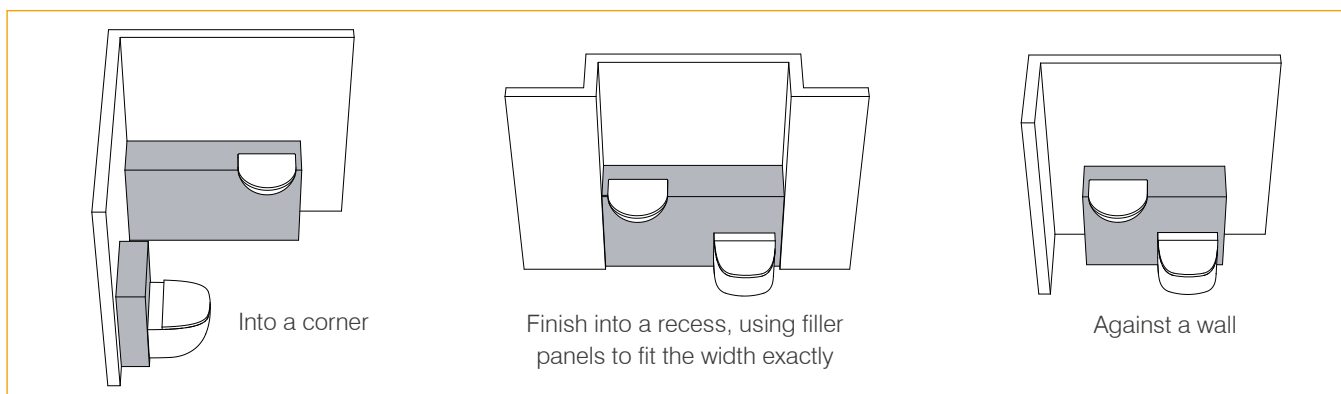
Our fitted furniture gives you the flexibility to individualise your bathroom design by ensuring your bathroom space is uniquely 'you'. Whether you live in a Victorian townhouse or an ultra modern home we can reflect your style, creating the look you want.

### CONSIDER YOUR CONFIGURATION

Before starting your bathroom renovation, get a feel for your bathroom layout.

It is advisable to install a WC unit in a similar position to the current WC to minimise installation costs. However, if you do want to change the layout a good bathroom retailer will be able to guide you through the planning process.

Roper Rhodes fitted furniture is designed to be used in many different configurations - some typically popular layouts are highlighted below.



### SELECT YOUR UNIT DEPTH

Consider the available space in your bathroom and choose from either standard depth (353mm) or space-saving slim depth (218mm) units.



\* Standard depth 353mm

\* Slim depth 218mm

(\* excludes worktop & basin )

### PLINTHS & END PANELS



All of our fitted furniture ranges can be wall hung or floor mounted, depending on your desired look. If you opt for floorstanding units, you will need to order colour matched plinths in order to hide the leg supports.

For all fitted furniture you will need to order end panels to complete your look, unless your furniture runs wall to wall. If using end panels in between units to create a framed look, please be aware that one end panel can be cut in half to save costs.



# UNIT OVERVIEW



GUARANTEE  
Furniture, Taps,  
Mirrors & Cabinets



GUARANTEE  
Ceramics

Choose from a range of floor units, wall cupboards and full height 2 door units.

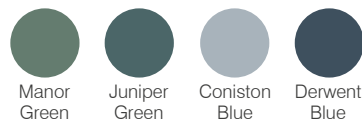
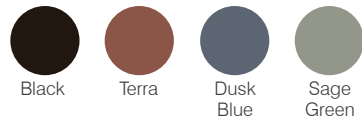


## 26 FURNITURE UNIT COLOURS

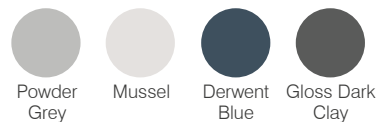
### ELAN



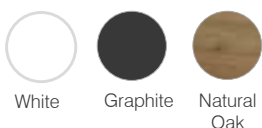
### BURFORD



### ARUBA



## CARCASS COLOURS



## 9 SIMPLE STEPS TO FITTED FURNITURE

With our versatile fitted furniture and huge choice of additional bathroom products, it is easy to create your unique bathroom. One which will fit not only your personal style, but also the space and more practical needs that you have. Follow these easy 9 steps to help create your perfect bathroom.



### CARCASS

Select your carcass. Carcasses are the building blocks of fitted furniture. Almost every run will start with a semi-countertop (SCT) basin unit, and a back-to-wall unit (BTW) which houses the cistern.



### FILLER / CLAD ON PANELS

Filler / Clad-on panels hide the carcasses at each end. They can also be used in between carcasses for a framed look.



### CISTERN & FLUSH BUTTON

Remember to select a cistern. The cistern is important as it provides flushing water to the pan. The cistern is housed inside the BTW carcass.



### SEMI-COUNTERTOP UNIT (SCT) FASCIA PACKS

These fascia packs comprise x2 doors with soft close hinges and a top fascia on quick release clips.



### BACK TO WALL (BTW) FASCIA PACKS

These two panels mask the back-to-wall carcass and cistern. These panels should be cut to allow the pan inlet and outlet pipes to pass through and for chosen flush button to be installed.



### PLINTH

These mask the plumbing gap below the carcasses. **They are optional and are not required for a wall mounted run.**



GUARANTEE  
Furniture & Taps



GUARANTEE  
Ceramics



STEP  
7



## WORKTOP

A wide range of worktop options add to the custom feel of fitted furniture. Slim and standard depth in a variety of lengths and patterns. The worktop and SCT top fascia should be cut to suit basin selected.

STEP  
8



## BASIN & PAN

We offer basins which slot perfectly into our fitted furniture ranges.

TOP  
TIP

STEP 7  
We recommend a 5-10mm overhang at each end of the furniture to prevent water dripping onto furniture.

TOP  
TIP

STEP 8  
Use silicone sealant to fix the basin in place and seal around the edge of the basin to prevent water ingress.

STEP  
9



## HANDLES

We offer a wide selection of handles to complement all our fitted furniture ranges.





# FITTED FURNITURE

---





*Explore our fitted furniture*

## COLLECTION

Our fitted furniture designers understand the ins and outs of what makes a great bathroom. Their creations have been tailor made to give you all you'll need to create your ideal space.

We offer something for every taste, with designs that incorporate a host of thoughtful features such as worktops with integrated basins, colour matched handles and underslung basin units.

*A play of old & new*

## ELAN

A timeless furniture design reimagined  
for the contemporary home.

10  
YEAR

GUARANTEE  
Furniture, Taps,  
Mirrors & Cabinets

20  
YEAR

GUARANTEE  
Ceramics







*For furniture as functional as it is beautiful.*



*A play of old & new*

# ELAN

---



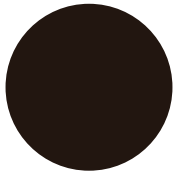
GUARANTEE  
Furniture, Taps,  
Mirrors & Cabinets



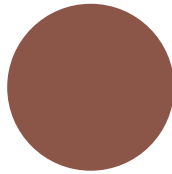
GUARANTEE  
Ceramics



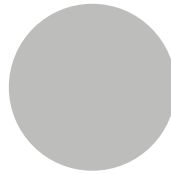
This refined furniture design marries traditional elegance with contemporary flair, showcasing a sleek, clean-cut Shaker frame. With endless configurations to choose from, Elan offers a versatile solution for maximising storage and utility. Available in a tasteful palette of finishes, with a wide range of handle & hardware options.



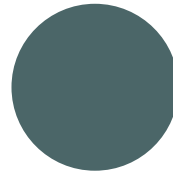
Black



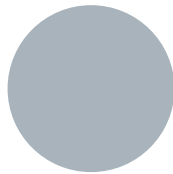
Terra



Powder Grey



Juniper Green



Coniston Blue



We offer a free colour swatch service.

If you would like a sample of any of our finishes please visit our website and fill in the sample request form  
[roperrhodes.co.uk/swatches](http://roperrhodes.co.uk/swatches)





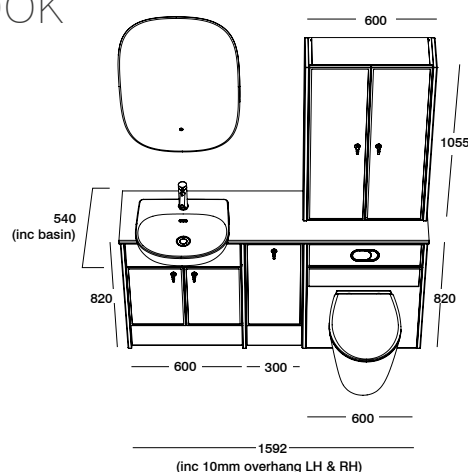
## CREATE THIS LOOK

Want to recreate this look for your new bathroom?

This page shows a helpful floor plan and useful list of items used to design this timeless bathroom.



We offer a free colour swatch service. See page 153 for details.



- 600MM BACK TO WALL UNIT: **EF3BW6.BLK.D**
- 600MM SEMI-COUNTERTOP UNIT: **EF3SC6.BLK.D**
- 600MM SIT ON TOP COUNTERTOP UNIT: **EF2CU6.BLK.D**
- 300MM PULL OUT DRAWER UNIT: **EF3TD3.BLK.D**
- INTERIOR CARCASS: **Graphite**
- 1000MM PLINTH: **FPL10.BLK**
- END PANELS x4: **F3P8.BLK**
- SIT ON UNIT END PANELS x2: **F2TP10.BLK**
- 1880MM GREY QUARTZ WORKTOP: **F3W18A.GQ**
- PARADIGM BACK TO WALL PAN & SEAT: **PBWPAN/DC14030**
- PARADIGM SEMI-COUNTERTOP BASIN: **DC14029**
- STORM-NOVA BASIN MIXER: **T461104**
- TOLEDO KNOB X5: **TFHTOLHAN.A**
- RITUAL MIRROR: **RLM060**
- OVAL BRUSHED BRASS FLUSH BUTTON: **TR9041**

WALL TILES: [mandarinstone.com](http://mandarinstone.com)

FLOOR TILES: [capietra.com](http://capietra.com)



*A play of old & new*

# ELAN BLACK

10  
YEAR

GUARANTEE  
Furniture & Taps

20  
YEAR

GUARANTEE  
Ceramics



Redefine your bathroom with a finish that is as bold as it is classic. Elan black is a richly pigmented colourway with warm undertones and a matt finish.

Make the most of vertical space with countertop cabinetry and clever storage solutions. Create a seamless look with a WC unit that conceals pipework, and bring a singular touch to your design by pairing furniture with warm, lustrous brass hardware and simple yet elegant fittings.



## TAILOR YOUR LOOK

Combine Elan with your choice of sanitaryware, brassware and accessories from our extensive collection or recreate our design from the selection below.



PAGE  
93

Paradigm basin



PAGE  
98

Paradigm back to wall WC



PAGE  
106

Storm-nova tap



PAGE  
111

Ritual mirror





*A play of old & new*  
**ELAN TERRA**

**10**  
 YEAR  
 GUARANTEE  
 Furniture & Taps

**20**  
 YEAR  
 GUARANTEE  
 Ceramics

*apex*

Our earthy terra finish balances beautifully with the simplicity of the furniture design to create a warm and inviting bathroom space.

This compact fitted furniture run is designed for efficiency and elegance, featuring a back-to-wall and WC unit alongside a basin unit. It boasts a Motif basin with an integrated worktop, accented by striking Toledo handles for a touch of sophistication. For a customised look, it can alternatively be paired with a solid surface worktop, a countertop basin, and wall-mounted taps.



**TAILOR YOUR LOOK**

Combine Elan with your choice of sanitaryware, brassware and accessories from our extensive collection or recreate our design from the selection below.



**PAGE 90** Motif basin with integrated worktop



**PAGE 98** Note back to wall WC



**PAGE 106** Storm-nova tap



**PAGE 117** Vault cabinet



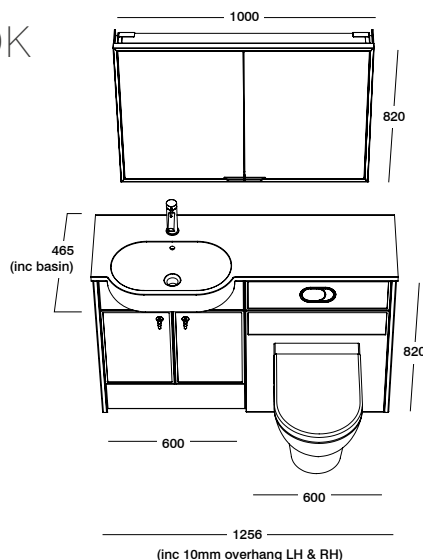
## CREATE THIS LOOK

Want to recreate this look for your new bathroom?

This page shows a helpful floor plan and useful list of items used to design this timeless bathroom.



We offer a free colour swatch service. See page 153 for details.



- 600MM BACK TO WALL UNIT: **EF3BW6.TER.D**
- 600MM SEMI-COUNTERTOP UNIT: **EF3SC6.TER.D**
- INTERIOR CARCASS: **Graphite**
- PLINTH: **FPL10.TER**
- END PANELS x2: **F3P8.TER**
- 1640MM MOTIF BASIN & WORKTOP : **MTF3BAS.L**
- NOTE BACK TO WALL PAN & SEAT: **NBWPANMW/NSLSCTSMW**
- STORM-NOVA BASIN MIXER: **T491903**
- TOLEDO KNOB x2: **FHTOLHAN.B**
- VAULT CABINET / TERRA SIDES: **VTC100-BL/RRC-CSK.TER**
- OVAL BLACK FLUSH BUTTON: **TR9040**

WALL TILES: [capietra.com](http://capietra.com)  
 FLOOR TILES: [capietra.com](http://capietra.com)



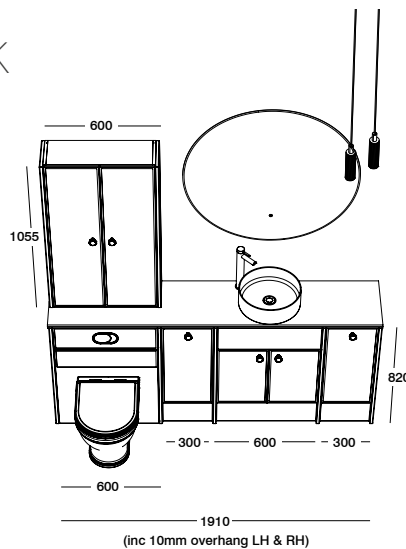
## CREATE THIS LOOK

Want to recreate this look for your new bathroom?

This page shows a helpful floor plan and useful list of items used to design this timeless bathroom.



We offer a free colour swatch service. See page 153 for details.



- 600MM BACK TO WALL UNIT: **EF3BW6.POW.D**
- 600MM SEMI-COUNTERTOP UNIT: **EF3SC5.POW.D**
- 600MM SIT ON TOP COUNTERTOP UNIT: **EF3FC6.POW.D**
- 300MM PULL OUT DRAWER UNITS x2: **EF3TD3.POW.D**
- INTERIOR CARCASS: **Graphite**
- 2000MM PLINTH: **FPL15.POW**
- SIT ON UNIT END PANELS x2: **F2TP10.POW**
- END PANELS x5: **F3P8.POW**
- 2000MM BLACK MARBLE WORKTOP: **F3W2024.KM**
- WIDCOMBE BACK TO PAN & SEAT: **WBWPAN/WSCTS-SF**
- ROUND COUNTERTOP BASIN: **DC12050**
- STORM-NOVA TAP: **T461903**
- FRESNO KNOB x6: **FHFRE.B**
- LIGHT x2: **WL02-BL**
- RITUAL MIRROR: **RLM100C**
- OVAL BLACK FLUSH BUTTON: **TR9040**

WALL: [bauerwerkcolour.com](http://bauerwerkcolour.com)  
 FLOOR TILES: [flooringsupplies.co.uk](http://flooringsupplies.co.uk)



*A play of old & new*

# ELAN POWDER GREY

10  
YEAR

GUARANTEE  
Furniture & Taps

20  
YEAR

GUARANTEE  
Ceramics



Warm and subtle, this versatile finish complements and enhances the detail of the furniture frame. Suited to bathrooms both modern & classic.

This design offers a comprehensive storage solution, featuring a central basin cupboard unit, flanked by two pull-out tall drawer units for optimal organisation. It includes a back-to-wall WC unit, enhanced by additional tall countertop storage, all topped with a sophisticated laminate black marble worktop and complemented by a striking black basin.



## TAILOR YOUR LOOK

Combine Elan with your choice of sanitaryware, brassware and accessories from our extensive collection or recreate our design from the selection below.



PAGE  
95

Round basin



PAGE  
98

Widcombe back to wall WC



PAGE  
106

Storm-Nova tap



PAGE  
111

Ritual circular mirror





*A play of old & new*

# ELAN JUNIPER GREEN

**10**  
YEAR  
GUARANTEE  
Furniture & Taps

**20**  
YEAR  
GUARANTEE  
Ceramics



A fresh yet elegant colour, Juniper Green is the perfect finish for those seeking a sophisticated and tasteful look.

This slim-depth furniture run, perfect for narrow bathrooms, incorporates a basin unit with integrated cupboard space, surrounded by two cupboard storage units for enhanced organisation. It includes a back-to-wall WC unit, which is complemented by an additional countertop cabinet, offering ample storage. The design is elegantly finished with brass hardware and brassware.



## TAILOR YOUR LOOK

Combine Elan with your choice of sanitaryware, brassware and accessories from our extensive collection or recreate our design from the selection below.



**PAGE 93** Paradigm basin



**PAGE 98** Paradigm back to wall WC



**PAGE 106** Storm-Nova tap



**PAGE 111** Ritual mirror



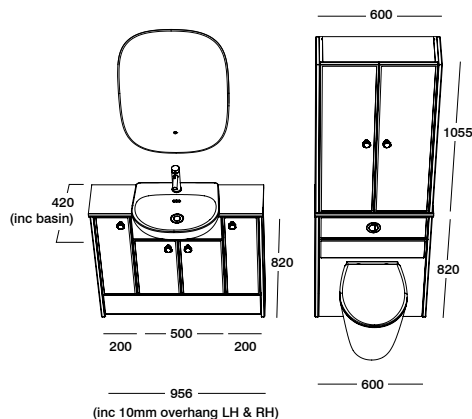
## CREATE THIS LOOK

Want to recreate this look for your new bathroom?

This page shows a helpful floor plan and useful list of items used to design this timeless bathroom.



We offer a free colour swatch service. See page 153 for details.



- 500MM SEMI-COUNTERTOP UNIT: **EF3SC5.JNPD**
- 200MM FLOOR CUPBOARD UNITS x2: **EF3FC2.JNPD**
- 600MM BACK TO WALL UNIT: **EF2BW6.JNPD**
- 600MM SIT ON TOP COUNTERTOP UNIT: **EF2CU6.JNPD**
- INTERIOR CARCASS: **Graphite**
- 1000MM PLINTH: **FPL10.JNP**
- END PANELS x4: **F2P8.JNP**
- 680MM CARRARA WORKTOP: **F2W6A.CA**
- 1280MM CARRARA WORKTOP: **F2W12A.CA**
- PARADIGM BACK TO WALL PAN & SEAT: **PCHBWPAN/DC14030**
- PARADIGM SEMI-COUNTERTOP BASIN: **DC14029**
- STORM-NOVA BASIN MIXER: **T461104**
- HUDSON KNOBS x6: **TFHHUD.A**
- RITUAL MIRROR: **RLM060**
- ROUND BRUSHED BRASS FLUSH BUTTON: **TR9034**

WALL TILES: [mandarinstone.com](http://mandarinstone.com)  
 FLOOR TILES: [mandarinstone.com](http://mandarinstone.com)



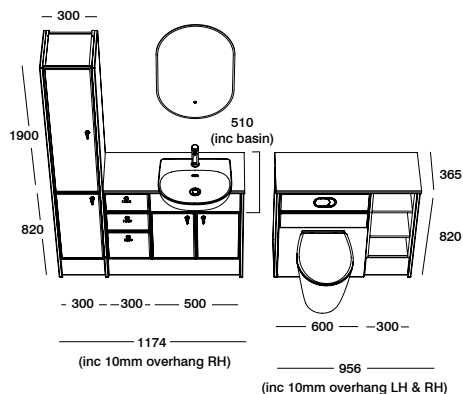
## CREATE THIS LOOK

Want to recreate this look for your new bathroom?

This page shows a helpful floor plan and useful list of items used to design this timeless bathroom.



We offer a free colour swatch service. See page 153 for details.



- 500MM SEMI-COUNTERTOP UNIT: **EF3SC5.CB.D**
- 300MM 3 DRAWER UNIT: **EF33DR.CB.D**
- 300MM PULL OUT DRAWER UNIT: **EF3FHU3.CB.D**
- 600MM BACK TO WALL UNIT: **EF3BW6.CB.D**
- 300MM OPEN STORAGE UNIT: **F3SS3.D**
- INTERIOR CARCASS: **Graphite**
- 1500MM PLINTH: **FPL15.CB**
- 820MM END PANELS x3: **F3P8.CB**
- 1900MM END PANEL x2: **F3TP19.CB**
- 1880MM ARCTIC WHITE WORKTOP: **F3W18A.AR**
- PARADIGM BACK TO WALL PAN & SEAT: **PCHBWPN/DC14030**
- PARADIGM SEMI-COUNTERTOP BASIN: **DC14029**
- METRIC BASIN MIXER: **T391103**
- TOLEDO KNOB x6: **FHTOLHAN.B**
- LINK MIRROR: **LKM50P**
- OVAL BLACK FLUSH BUTTON: **TR9040**

WALL TILES: [claybrookstudio.co.uk](http://claybrookstudio.co.uk)  
 WALL TILES: [mandarinstone.com](http://mandarinstone.com)  
 FLOOR TILES: [mandarinstone.com](http://mandarinstone.com)





*A play of old & new*

# ELAN CONISTON BLUE



GUARANTEE  
Furniture & Taps



GUARANTEE  
Ceramics



A clean, crisp colour, Coniston blue works equally well in modern and traditional bathrooms, lending a calming feel to any space.

Ideal for a busy family bathroom, this fitted run combines a compact basin unit with extensive tall cupboard space, modern open storage, and a back-to-wall unit, alongside plentiful drawer space for bathroom essentials. Finished with impactful matt black hardware.



## TAILOR YOUR LOOK

Combine Elan with your choice of sanitaryware, brassware and accessories from our extensive collection or recreate our design from the selection below.



PAGE  
93

Paradigm basin



PAGE  
98

Paradigm back to  
wall WC



PAGE  
106

Metric tap



PAGE  
111

Link pill mirror

*Inspired by tradition*

## BURFORD

---

Elements of traditional carpentry with the advantages of fitted furniture in a range of 12 painted finishes.

10  
YEAR

GUARANTEE  
Furniture, Taps,  
Mirrors & Cabinets

20  
YEAR

GUARANTEE  
Ceramics

apex







*Informed by the  
past, designed for  
the present.*





*Inspired by tradition*

# BURFORD



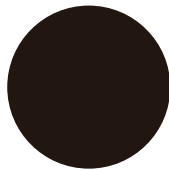
GUARANTEE  
Furniture, Taps,  
Mirrors & Cabinets



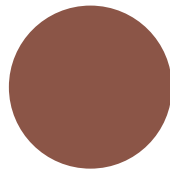
GUARANTEE  
Ceramics



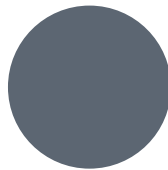
For those who appreciate the classic charm of traditional design, Burford fitted furniture brings a touch of old-world elegance. Clever detailing, ornate hardware, and rich finishes lend a luxurious and inviting atmosphere to any space.



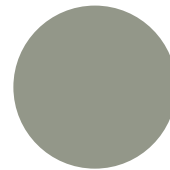
Black



Terra



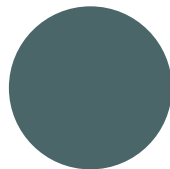
Dusk Blue



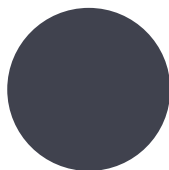
Sage Green



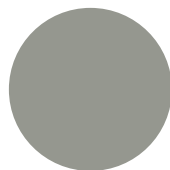
Manor Green



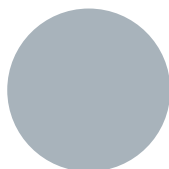
Juniper Green



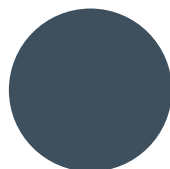
Slate Grey



Pebble Grey



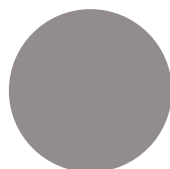
Coniston Blue



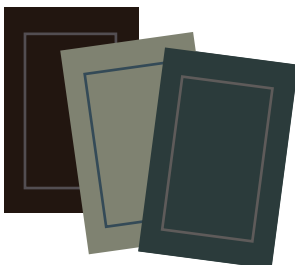
Derwent Blue



Chalk White



Mocha



We offer a free colour swatch service.

If you would like a sample of any of our finishes please visit our website and fill in the sample request form

[roperrhodes.co.uk/swatches](http://roperrhodes.co.uk/swatches)

*Inspired by tradition*

# BURFORD SAGE GREEN

10  
YEAR

GUARANTEE  
Furniture & Taps

20  
YEAR

GUARANTEE  
Ceramics



This quintessential sage green finish is a fresh and beautifully soft colour that works especially well in neutral settings.

Make use of the entire width of your bathroom with this cleverly designed fitted bathroom design. This configuration includes a basin unit flanked by two tall, pull-out drawers and additional countertop storage, providing ample space for all your bathroom necessities. Complete the look with a Massa marble effect laminate worktop, brass hardware, and classically styled sanitaryware.



## TAILOR YOUR LOOK

Combine Burford with your choice of sanitaryware, brassware and accessories from our extensive collection or recreate our design from the selection below.



PAGE 93 Harrow basin



PAGE 98 Harrow back to wall WC



PAGE 107 Keswick basin mixer



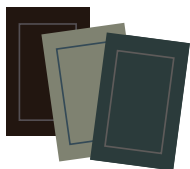
PAGE 111 Ritual mirror



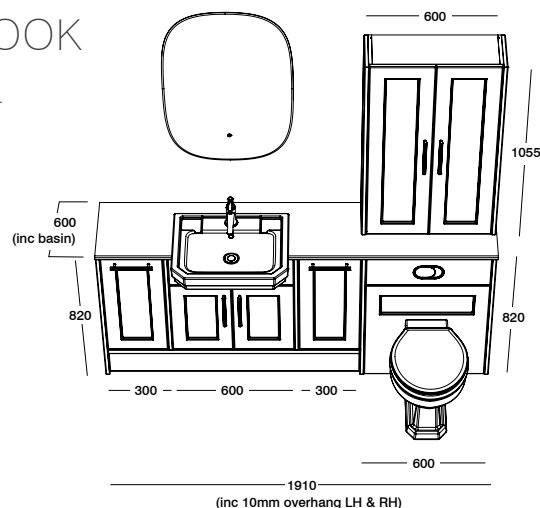
## CREATE THIS LOOK

Want to recreate this look for your new bathroom?

This page shows a helpful floor plan and useful list of items used to design this timeless bathroom.



We offer a free colour swatch service. See page 153 for details.



- 600MM BACK TO WALL UNIT: **DF3BW6.SGN.OK**
- 600MM SEMI-COUNTERTOP UNIT: **DF3SC6.SGN.OK**
- 600MM SIT ON TOP COUNTERTOP UNIT: **DF2CU6.SGN.OK**
- 300MM TALL DRAWER UNITS x2: **DF3TD3.SGN.OK**
- INTERIOR CARCASS: **Oak**
- 1500MM PLINTH: **DFPL15.SGN**
- SIT ON UNIT END PANELS x2: **DF2TP10.SGN**
- END PANELS x5: **DF3P8.SGN**
- 2000MM MASSA MARBLE WORKTOP: **F3W2024.MM**
- HARROW SEMI-COUNTERTOP BASIN: **SCSB850S**
- HARROW BACK TO WALL PAN & SEAT: **BTW850S/HSCTSW**
- KESWICK BASIN MIXER: **T322504**
- FRESNO PULL HANDLE x6: **FHFREHAN.A.160**
- RITUAL MIRROR: **RLM050**
- OVAL BRUSHED BRASS FLUSH BUTTON: **TR9041**

WALL: [bauerworkcolour.com](http://bauerworkcolour.com)

FLOOR TILES: [mandarinstone.com](http://mandarinstone.com)

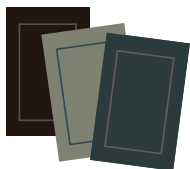




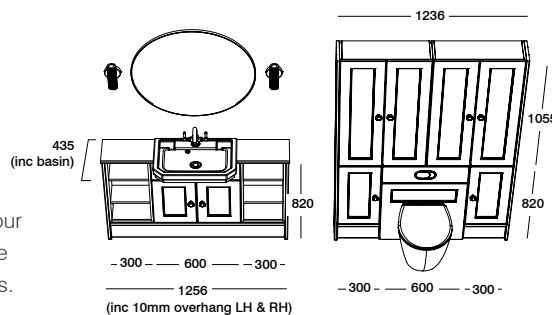
## CREATE THIS LOOK

Want to recreate this look for your new bathroom?

This page shows a helpful floor plan and useful list of items used to design this timeless bathroom.



We offer a free colour swatch service. See page 153 for details.



600MM SEMI-COUNTERTOP UNIT: **DF3SC6.MGN.OK**  
 300MM OPEN STORAGE UNIT x2: **F3SS3.OK**  
 600MM BACK TO WALL UNIT: **DF3BW6.MGN.OK**  
 600MM SIT ON TOP COUNTERTOP UNIT x2: **DF2CU6.MGN.OK**  
 300MM FULL HEIGHT UNIT x2: **DF3FHU3.MGN.OK**  
 INTERIOR CARCASS: **Oak**  
 TALL END PANELS x2: **DF3TP19.MGN**  
 END PANEL x2: **DF2P8.MGN**  
 2000MM LAMINATE VENATO WORKTOP: **F2W2024.VM**  
 PARADIGM BACK TO WALL PAN & SEAT: **PCHBWPAN/DC14030**  
 HARROW SEMI-COUNTERTOP BASIN: **SCSB850S**  
 KESWICK BASIN MIXER: **TT321104**  
 FRESNO KNOB x8: **FHFRE.A**  
 THESIS MIRROR: **TNM80C**  
 FLUTED WALL LIGHT x2: **WL02-BR**  
 OVAL BRUSHED BRASS FLUSH BUTTON: **TR9041**

WALL TILES: [intmarble.com](http://intmarble.com)

FLOOR TILES: [mandarinstone.com](http://mandarinstone.com)



*Inspired by tradition*

# BURFORD MANOR GREEN

10  
YEAR

GUARANTEE  
Furniture & Taps

20  
YEAR

GUARANTEE  
Ceramics



Strong and subdued, this deep green colour is the perfect finish for this clean yet classic furniture collection.

This fitted bathroom is designed for those in search of extensive storage, featuring a basin unit framed by two open storage cabinets. A straightforward back-to-wall unit is enhanced with four additional cabinets, incorporating clever countertop storage solutions. The design is completed with brass hardware and a classic basin, offering a blend of functionality and timeless style.



## TAILOR YOUR LOOK

Combine Burford with your choice of sanitaryware, brassware and accessories from our extensive collection or recreate our design from the selection below.



PAGE 93 Harrow basin



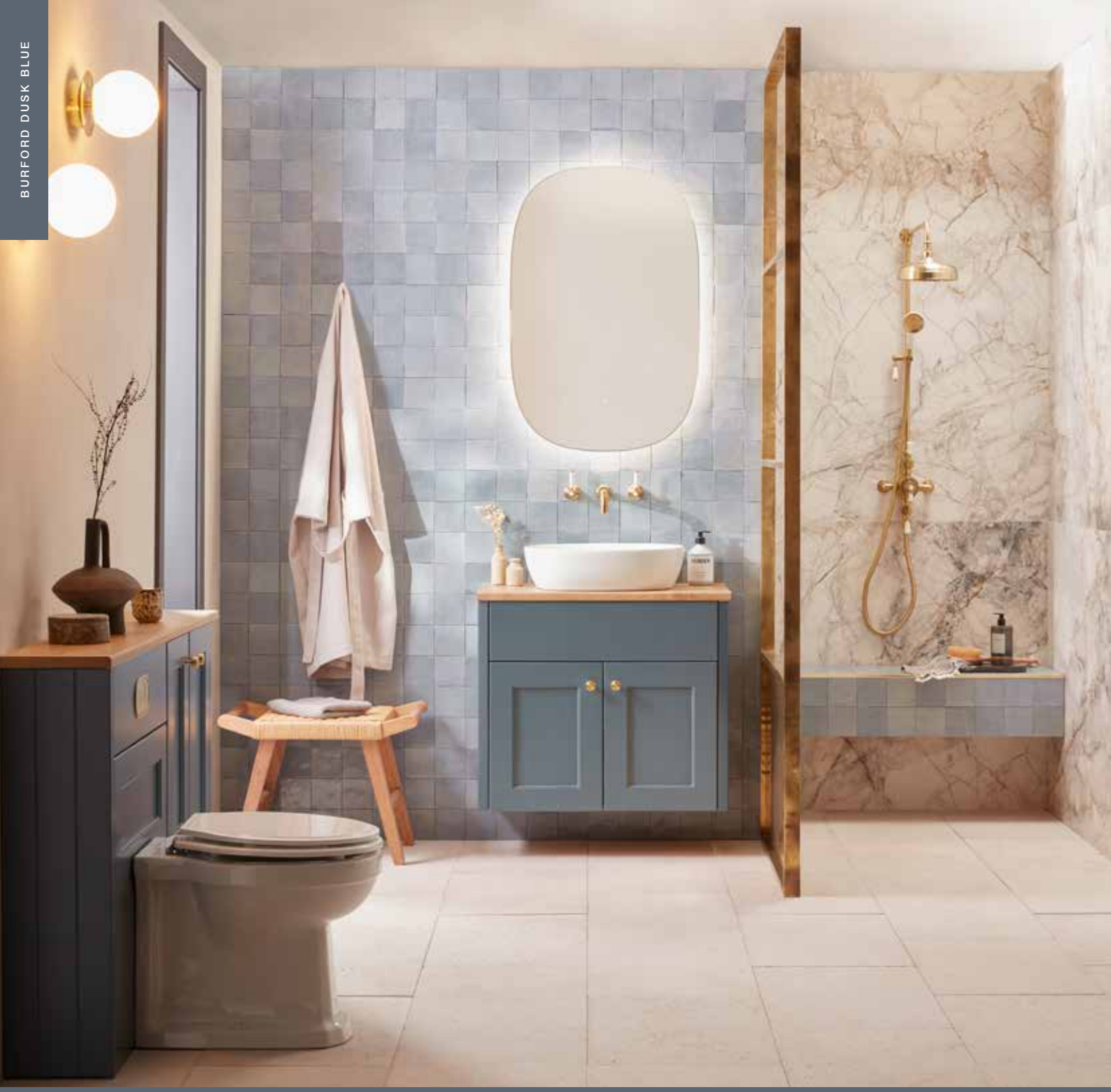
PAGE 98 Paradigm back to wall WC



PAGE 107 Keswick tap



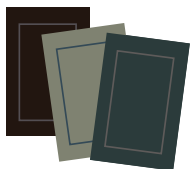
PAGE 112 Thesis mirror



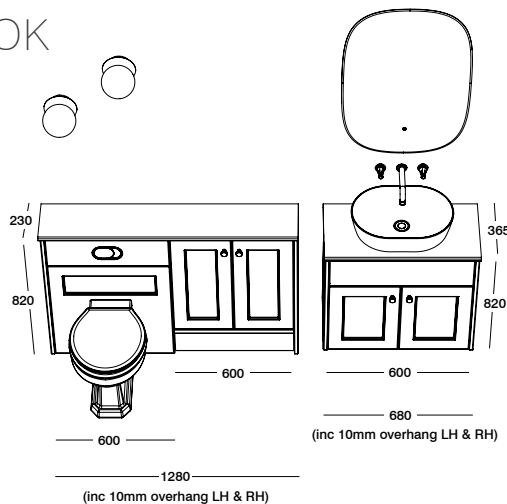
## CREATE THIS LOOK

Want to recreate this look for your new bathroom?

This page shows a helpful floor plan and useful list of items used to design this timeless bathroom.



We offer a free colour swatch service. See page 153 for details.



- 600MM BACK TO WALL UNIT: **DF3BW6.DSK.OK**
- 700MM BASIN UNIT: **DF3SC7.DSK.OK**
- 600MM FLOOR CUPBOARD UNIT: **DF3FC6.DSK.OK**
- INTERIOR CARCASS: **Oak**
- 1000MM PLINTH: **DFPL10.DSK**
- STANDARD DEPTH DESIGN PANELS x2: **DF3APDSK**
- SLIM DEPTH DESIGN PANELS x2: **DF2APDSK**
- HARROW BACK TO WALL PAN & SEAT: **BTW850S/HSCTSW**
- PILL COUNTERTOP BASIN: **DC12051**
- 2000MM OAK LAMINATE WORKTOP: **F3W2024.OK**
- KESWICK WALL MOUNTED BASIN MIXER: **T321904**
- FAIRFAX KNOB x4: **FHFAX.A**
- RITUAL MIRROR: **RLM060**
- OVAL BRUSHED BRASS FLUSH BUTTON: **TR9041**
- GLOBE LIGHT x2 : **WL01-BR-W**

WALL TILES: [mandarinstone.com](http://mandarinstone.com)  
 FLOOR TILES: [mandarinstone.com](http://mandarinstone.com)





*Inspired by tradition*

# BURFORD DUSK BLUE

10  
YEAR

GUARANTEE  
Furniture & Taps

20  
YEAR

GUARANTEE  
Ceramics



Discover a warm, heritage inspired blue finish that works in perfect harmony with the furniture frame.

Create a bespoke furniture look with this compact cabinet design that combines a wall hung frame with a classic fascia. Pair with a heritage inspired basin or break with tradition by adding a chic countertop basin and wall mounted taps.



## TAILOR YOUR LOOK

Combine Burford with your choice of sanitaryware, brassware and accessories from our extensive collection or recreate our design from the selection below.



PAGE  
95

Pill basin



PAGE  
98

Harrow back to wall WC



PAGE  
107

Keswick basin mixer



PAGE  
111

Ritual circular mirror

*Inspired by tradition*

## BURFORD TERRA

10  
YEARGUARANTEE  
Furniture & Taps20  
YEARGUARANTEE  
Ceramics

apex

Brimming with warmth and depth, this elegant finish adds a touch of Tuscan charm to our favourite traditional cabinetry collection.

Offering a complete storage solution, this cleverly put together design showcases the versatility of fitted bathroom furniture. With a semicountertop unit at its centre, this run combines floor cupboards and countertop cabinets to create a stylish and functional bathroom design, well suited to the busy modern bathroom.



## TAILOR YOUR LOOK

Combine Burford with your choice of sanitaryware, brassware and accessories from our extensive collection or recreate our design from the selection below.

PAGE  
93Widcombe  
semi-countertop basinPAGE  
98Widcombe back to  
wall WCPAGE  
107

Keswick tap

PAGE  
117

Vault cabinet

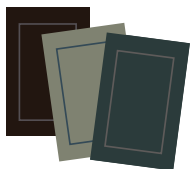




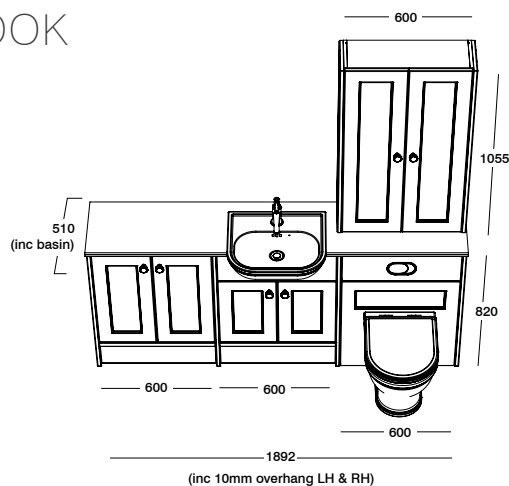
## CREATE THIS LOOK

Want to recreate this look for your new bathroom?

This page shows a helpful floor plan and useful list of items used to design this timeless bathroom.



We offer a free colour swatch service. See page 153 for details.



600MM BACK TO WALL UNIT: **DF3BW6.TER.OK**  
 600MM SEMI-COUNTERTOP UNIT: **DF3SC6.TER.OK**  
 600MM FLOOR CUPBOARD UNIT: **DF3FC6.TER.OK**  
 600MM SIT ON TOP COUNTERTOP UNIT: **DF2CU6.TER.OK**  
 INTERIOR CARCASS: **Oak**  
 1500MM PLINTH: **DFPL15.TER**  
 SIT ON UNIT END PANELS x2: **DF2TP10.TER**  
 END PANELS x4: **DF3P8.TER**  
 2000MM OAK WORKTOP: **F3W2024.OK**  
 WIDCOMBE SEMI-COUNTERTOP BASIN: **W3SCBAS1**  
 WIDCOMBE BACK TO WALL PAN & SEAT: **WBWPAN/WSCTS-SF**  
 KESWICK BASIN MIXER: **T322504**  
 FRESNO KNOB x6: **FHFRE.BR**  
 OVAL BRUSHED BRASS FLUSH BUTTON: **TR9041**

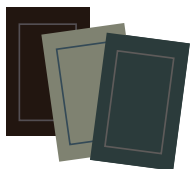
WALL TILES: [mandarinstone.com](http://mandarinstone.com)  
 FLOOR TILES: [mandarinstone.com](http://mandarinstone.com)



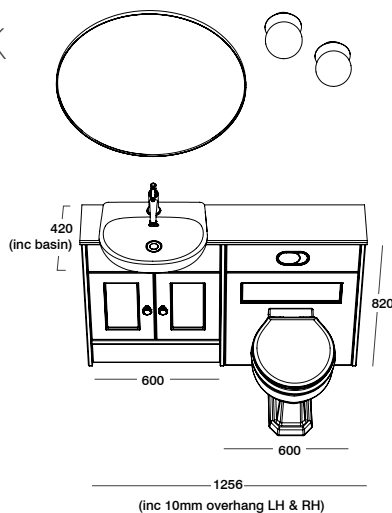
## CREATE THIS LOOK

Want to recreate this look for your new bathroom?

This page shows a helpful floor plan and useful list of items used to design this timeless bathroom.



We offer a free colour swatch service. See page 153 for details.



- 600MM BACK TO WALL UNIT: **DF3BW6.BLK.D**
- 600MM SEMI-COUNTERTOP UNIT: **DF3SC6.BLK.D**
- INTERIOR CARCASS: **Graphite**
- 1000MM PLINTH: **FPL10.BLK**
- END PANELS x3: **F3P8.BLK**
- 1280MM CARRARA WORKTOP: **F3W12A.CA**
- PARADIGM BACK TO WALL PAN & SEAT: **PCHBWPAN/DC14030**
- PARADIGM SEMI-COUNTERTOP BASIN: **DC14029**
- KESWICK BASIN MIXER: **T322504**
- TOLEDO KNOB x2: **FHTOLHAN.A**
- LINK MIRROR: **LKM60C**
- OVAL BRUSHED BRASS FLUSH BUTTON: **TR9041**

WALL TILES: [capietra.com](http://capietra.com)  
 FLOOR TILES: [capietra.com](http://capietra.com)



*Inspired by tradition*

# BURFORD BLACK

10  
YEAR

GUARANTEE  
Furniture & Taps

20  
YEAR

GUARANTEE  
Ceramics



Timeless cabinetry and a bold colourway make for a striking design combination. Complement this impactful finish with lustrous brass accessories.

This slim depth fitted furniture pairs a compact basin unit with a sleek back-to-wall WC unit, topped with a Carrara marble worktop and a classic basin for ample surface space. Enhanced with heritage sanitaryware and brass hardware, it offers a timeless, space-efficient solution with a touch of elegance.



## TAILOR YOUR LOOK

Combine Burford with your choice of sanitaryware, brassware and accessories from our extensive collection or recreate our design from the selection below.



PAGE  
93

Paradigm basin



PAGE  
98

Harrow back to wall WC



PAGE  
107

Keswick tap



PAGE  
111

Link mirror



*Inspired by tradition*

## BURFORD JUNIPER GREEN

Discover tranquillity with the effortless look and feel of juniper green. Inspired by lush, alpine forests, this finish aims to bring a touch of nature into your space.

Shown in our space saving 218mm slim depth, juniper green is a truly versatile finish. Combine with luxurious brass handles and taps add a touch of drama. Or opt for black finishing touches for a more industrial style.



## TAILOR YOUR LOOK

Blend the deep green hues of Juniper with our smooth Cover basins & WCs and brass accessories.



PAGE 93  
Cover basin



PAGE 100  
Cover wall hung WC



PAGE 106  
Elate tap



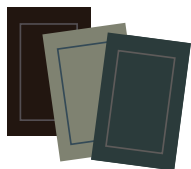
PAGE 112  
Thesis oval mirror



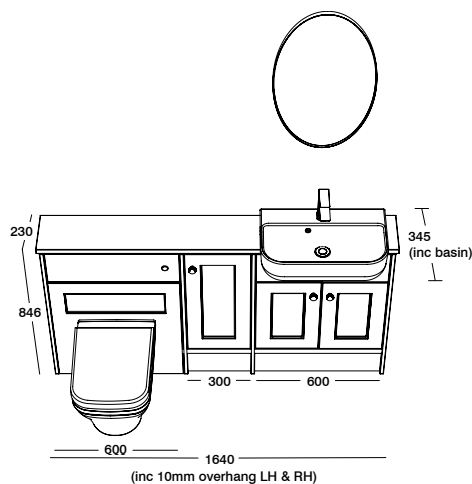
## CREATE THIS LOOK

Want to recreate this look for your new bathroom?

This page shows a helpful floor plan and useful list of items used to design this timeless bathroom.



We offer a free colour swatch service. See page 153 for details.



600MM BACK TO WALL UNIT: **DF2BW6.JNP.D**  
 600MM SEMI-COUNTERTOP UNIT: **DF2SC6.JNP.D**  
 300MM FLOOR CUPBOARD UNIT: **DF2FC3.JNP.D**  
 INTERIOR CARCASS: **Graphite**  
 1000MM PLINTH: **DFPL10.JNP**  
 DESIGN PANELS x3: **DF2AP.JNP**  
 1800MM CARRARA WORKTOP: **F3W18A.CA**  
 COVER WALL HUNG PAN & SEAT: **CWHPAN-R/CSCTS-SF**  
 COVER SEMI-COUNTERTOP BASIN: **C3SCBAS**  
 ELATE BASIN MIXER: **T241104**  
 FRESNO KNOBS x3: **FHFRE.A**  
 THESIS MIRROR: **TNM50V**  
 CONTACTLESS DUAL FLUSH SENSOR: **TR9014**

WALL TILES: [mandarinstone.com](http://mandarinstone.com)

FLOOR TILES: [capietra.com](http://capietra.com)

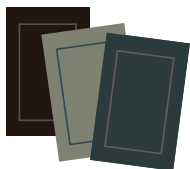




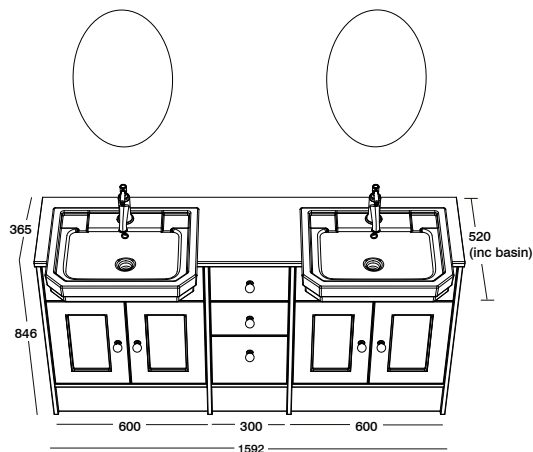
## CREATE THIS LOOK

Want to recreate this look for your new bathroom?

This page shows a helpful floor plan and useful list of items used to design this timeless bathroom.



We offer a free colour swatch service. See page 153 for details.



- 600MM SEMI-COUNTERTOP UNIT x2: **DF3SC6.CB.D**
- 300MM 3 DRAWER UNIT: **DF33DR.CB.D**
- INTERIOR CARCASS: **Graphite**
- END PANELS x4: **DF3P8.CB**
- 1500MM PLINTH: **DFPL15.CB**
- 1880MM ARCTIC WHITE WORKTOP: **F3W18A.AR**
- HARROW SEMI-COUNTERTOP BASIN x2: **SCSB850S**
- KESWICK BASIN MIXER: **T322502**
- WESTPORT KNOB x7: **FHWST.C**
- EMINENCE MIRROR: **EM650AL**

FLOOR TILES: [capietra.com](http://capietra.com)

*Inspired by tradition*  
**BURFORD CONISTON BLUE**

Define your style with this muted tone of Burford coniston blue to create a visual statement, balancing modern and traditional styling.

Complete this classic style with a double basin. Ideal for those wishing to make a real design statement and very practical as well. Opt for the Harrow sanitaryware, Keswick taps and Westport door handles to complete this look and create a beautiful balance between classic styling & dramatic good looks.

Alternatively coniston blue works equally as well with the more contemporary basins and WCs for a more timeless look.

For a seamless design include an oval furniture flush button from page 102.



**TAILOR YOUR LOOK**

Create a distinctive look with the traditional styling of the Harrow sanitaryware range, Keswick tap and Columbus chrome handles.



**PAGE 93** Harrow basin



**PAGE 98** Harrow back to wall WC



**PAGE 107** Keswick tap



**PAGE 113** Eminence oval mirror

*Inspired by tradition*

## BURFORD DERWENT BLUE

Strike the perfect balance between modern and traditional with stunning derwent blue; full of character and depth, it combines tailored lines with a touch of classic styling.

This fitted furniture look is brought together by stunning chrome finishing touches. A combination of our Henderson and Columbus handles help create interest and dimension. Whilst the Wessex basin mixer taps the perfect line between modern and traditional to give a contemporary edge.



The Burford range can be used with contemporary sanitaryware to create a different look

## TAILOR YOUR LOOK

Make a design statement with our Harrow basins paired with our timeless Accent back to wall WCs.



PAGE 93

Harrow basin



PAGE 98

Accent back to wall WC



PAGE 107

Wessex tap



PAGE 113

550mm Eminence circular mirror

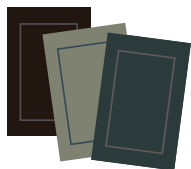




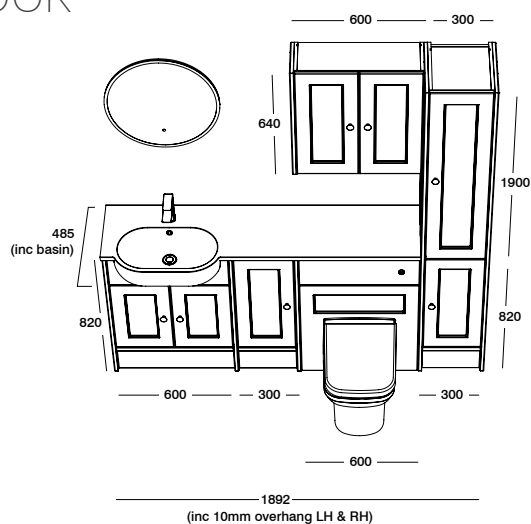
## CREATE THIS LOOK

Want to recreate this look for your new bathroom?

This page shows a helpful floor plan and useful list of items used to design this timeless bathroom.



We offer a free colour swatch service. See page 153 for details.



- 600MM BACK TO WALL UNIT: **DF3BW6.DB.D**
- 600MM SEMI-COUNTERTOP UNIT: **DF3SC6.DB.D**
- 300MM FLOOR CUPBOARD UNIT: **DF3FC3.DB**
- 300MM FULL HEIGHT TWIN DOOR UNIT: **DF3FHU3.DB.D**
- 600MM WALL MOUNTED CUPBOARD: **DF2WC6.DB.D**
- INTERIOR CARCASS: **Graphite**
- 1500MM PLINTH: **DFPL15.DB**
- END PANELS x3: **DF3P8.DB**
- TALL END PANELS x2: **DF3TP19.DB**
- ACCENT BACK TO WALL PAN & SEAT: **ABWPAN/ASCTS**
- 1640MM MOTIF BASIN & WORKTOP: **MTF3BAS.L**
- ELATE BASIN MIXER: **T241102**
- HENDERSON KNOB x7: **FHHEN.C**
- EMINENCE MIRROR: **EM55CAL**
- CONTACTLESS DUAL FLUSH SENSOR: **TR9014**

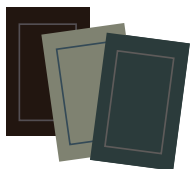
WALLPAPER: [houseofhackney.com](http://houseofhackney.com)  
FLOOR TILES: [tiles-direct.com](http://tiles-direct.com)



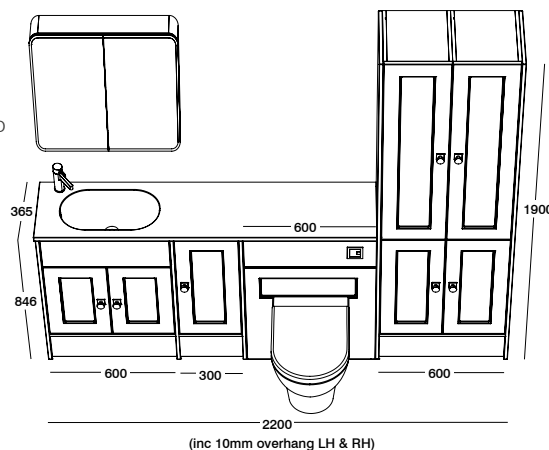
## CREATE THIS LOOK

Want to recreate this look for your new bathroom?

This page shows a helpful floor plan and useful list of items used to design this timeless bathroom.



We offer a free colour swatch service. See page 153 for details.



- 600MM BACK TO WALL UNIT: **DF3BW6.SG.OK**
- 600MM BASIN UNIT: **DF3SC6.SG.OK**
- 300MM FLOOR CUPBOARD UNIT: **DF3FC3.SG.OK**
- 300MM FULL HEIGHT TWIN DOOR UNIT x2: **DF3FHU3.SG.OK**
- INTERIOR CARCASS: **Natural Oak**
- END PANELS x3: **DF3P8.SG**
- TALL END PANELS x2: **DF3TP19.SG**
- 1500MM PLINTH: **DFPL15.SG**
- NOTE BACK TO PAN & SEAT: **NBWPAN/8704WSC**
- 1640MM CITY BASIN & WORKTOP: **C3WTBAS**
- BERKELEY HANDLE x7: **FHBER.C**
- SYSTEM CABINET: **SYC060**

FLOOR TILES: [toppstiles.co.uk](http://toppstiles.co.uk)



*Inspired by tradition*

## BURFORD SLATE GREY

Create real drama with this deep slate grey finish. A nod to heritage styling, this finish will give your bathroom a sophisticated yet modern feel.

Opt for the City underslung basin with integrated solid surface worktop for a sleek finish. Using two full height twin door cupboards together will give you masses of valuable storage space.



### TAILOR YOUR LOOK

Add some additional storage to your bathroom with our full height twin door cupboards and Note sanitaryware, or City basin for a stylish on trend look.



PAGE  
90

City integrated basin  
& worktop



PAGE  
98

Note back to wall WC



PAGE  
87

Berkeley knob



PAGE  
115

600mm System  
illuminated cabinet

*Inspired by tradition*

## BURFORD PEBBLE GREY

For a new take on a classic look opt for the muted tones of pebble grey finish, creating a relaxed & calming environment.

Open shelving and sleek mirrors, used together here with the smooth arctic white Strata solid surface worktop and Cover basin help create this timeless look.

Use 30mm end panels between the units to create a more traditional framed look. For economy these end panels can be cut in half for use within a run if desired.



## TAILOR YOUR LOOK

Open shelving used with the smooth arctic white Strata solid surface worktop and Cover basin help create a timeless look.

PAGE  
93

Cover sanitaryware

PAGE  
87

Washington handle

PAGE  
87

Caldwell handle

PAGE  
107

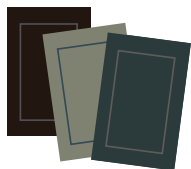
Henley tap



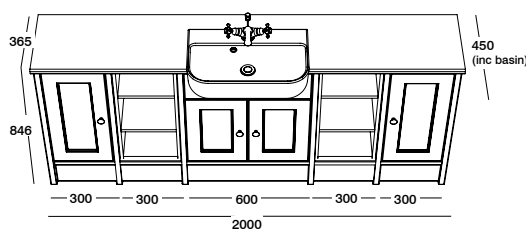
## CREATE THIS LOOK

Want to recreate this look for your new bathroom?

This page shows a helpful floor plan and useful list of items used to design this timeless bathroom.



We offer a free colour swatch service. See page 153 for details.



(inc 10mm overhang LH & RH)

600MM SEMI-COUNTERTOP UNIT: **DF3SC6.PG.OK**  
 300MM FLOOR CUPBOARD UNITS x2: **DF3FC3.PG.OK**  
 300MM SHELF STORAGE UNITS x2: **F3SS3.OK**  
 INTERIOR CARCASS: **Natural Oak**  
 2000MM PLINTH: **DFPL20.PG**  
 DESIGN PANELS x6: **DF3APPG**  
 COVER SEMI-COUNTERTOP BASIN: **C3SCBAS**  
 1280 ARCTIC WHITE WORKTOPS x2: **F3W12A.AR**  
 HENLEY BASIN MIXER: **T261102**  
 CALDWELL HANDLES x4: **FHCAL.BR**

WALL TILES: [porcelanosa.com](http://porcelanosa.com)  
 FLOOR TILES: [mandarinstone.com](http://mandarinstone.com)

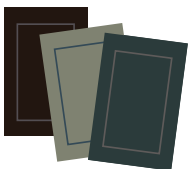




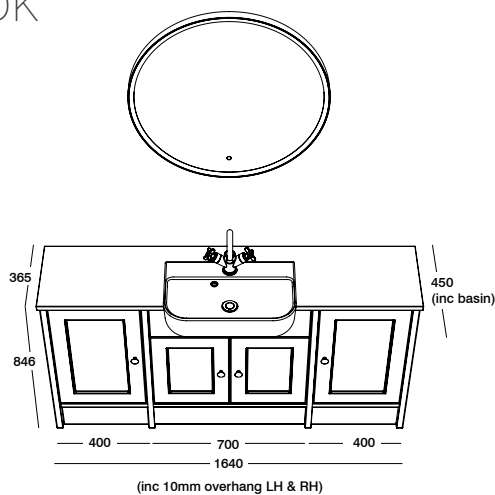
## CREATE THIS LOOK

Want to recreate this look for your new bathroom?

This page shows a helpful floor plan and useful list of items used to design this timeless bathroom.



We offer a free colour swatch service. See page 153 for details.



700MM SEMI-COUNTERTOP UNIT: **DF3SC7.CW.OK**  
 400MM FLOOR CUPBOARD UNITS x2: **DF3FC4.CW.OK**  
 INTERIOR CARCASS: **Natural Oak**  
 2000MM PLINTH: **DFPL20.CW**  
 DESIGN PANELS x4: **DF3AP.CW**  
 COVER SEMI-COUNTERTOP BASIN: **C3SCBAS**  
 2000MM OAK WORKTOP: **F3W2024.OK**  
 WESSEX BASIN MIXER: **T661002**  
 WASHINGTON HANDLES x4: **FHWAS.C**  
 FRAME MIRROR: **FR80RW**

FLOOR TILES: [parador.de/en/](http://parador.de/en/)

*Inspired by tradition*

## BURFORD CHALK WHITE

In a soft white, Burford has a classic look with framed doors.

Recommended for use with natural oak finish carcass units, a coordinating oak finish worktop is also available.

Use 30mm end panels between the units to create a more traditional framed look and finish with Washington chrome handles.



## TAILOR YOUR LOOK

Create a distinctive look to your bathroom with the soft tones of Burford chalk white paired with the traditional styling of our Wessex tap.



PAGE  
93

Cover sanitaryware



PAGE  
87

Washington handle



PAGE  
107

Wessex tap



PAGE  
112

800mm Frame  
circular mirror



*Inspired by tradition*

## BURFORD MOCHA

The muted tone of Burford mocha adds to its timeless appeal and really suits the classic styling.

This bathroom design features a comprehensive storage solution, blending timeless aesthetics with functionality. The setup includes two 600 traditional basin cupboard units, positioned on either side of a compact cabinet that boasts open wooden shelving. Each unit is equipped with a semi-countertop ceramic basin, seamlessly integrated into an Arctic white solid surface strata worktop, providing a clean and polished finish.



## TAILOR YOUR LOOK

The muted tones of mocha work well with our Cover sanitaryware, Henley taps and simple mirrors.



PAGE  
93

Cover sanitaryware



PAGE  
98

Cover back to wall  
WC



PAGE  
107

Henley basin mixer



PAGE  
87

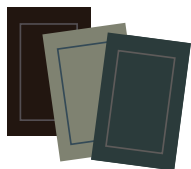
Washington handle



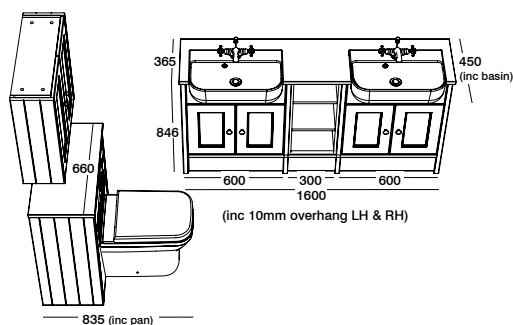
## CREATE THIS LOOK

Want to recreate this look for your new bathroom?

This page shows a helpful floor plan and useful list of items used to design this timeless bathroom.



We offer a free colour swatch service. See page 153 for details.



600MM SEMI-COUNTERTOP UNIT x2: **DF3SC6.MC.OK**  
 300MM SHELF STORAGE UNITS: **F3SS3.OK**  
 600MM BACK TO WALL UNIT: **DF3BW6.MC.OK**  
 600MM WALL MOUNTED CUPBOARD: **DF2WC6.MC.OK**  
 INTERIOR CARCASS: **Natural Oak**  
 1500MM PLINTH: **DFPL15.MC**  
 DESIGN PANELS x8: **DF3APMC**  
 COVER SEMI-COUNTERTOP BASIN x2: **C3SCBAS**  
 COVER BACK TO WALL WC: **CBWPAN-R/CSCTS-SF**  
 1880 ARCTIC WHITE WORKTOP: **F3W18A.AR**  
 680 ARCTIC WHITE WORKTOP (BTW): **F3W6A.AR**  
 HENLEY BASIN MIXER x2: **T261102**  
 WASHINGTON HANDLES x6: **FHWAS.C**

FLOOR TILES: [mandarinstone.com](http://mandarinstone.com)



*Clean & contemporary*

# ARUBA

A simple, ultra modern style for effortless cool in 9 on-trend finishes.



GUARANTEE  
Furniture, Taps,  
Mirrors & Cabinets



GUARANTEE  
Ceramics









*Clean, seamless  
cabinetry; designed  
for all life's  
essentials.*



Clean & contemporary

# ARUBA



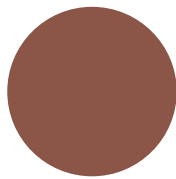
GUARANTEE  
Furniture, Taps,  
Mirrors & Cabinets



GUARANTEE  
Ceramics



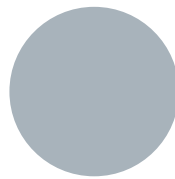
This slab-fronted furniture features seamless joinery in a versatile range of matt and gloss finishes to add depth to your bathroom scheme, while multiple options in brassware and handles offer ample space for personalisation.



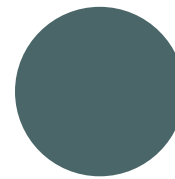
Terra



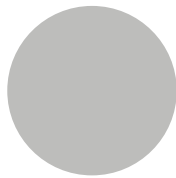
Oxford Oak



Coniston Blue



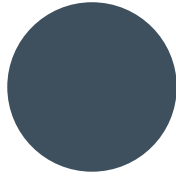
Juniper Green



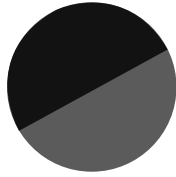
Powder Grey



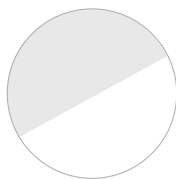
Mussel



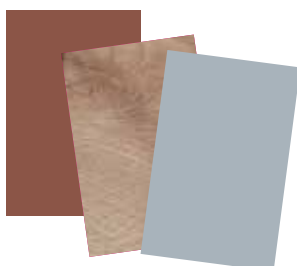
Derwent Blue



Gloss Dark Clay



Gloss White



We offer a free colour swatch service.

If you would like a sample of any of our finishes please visit our website and fill in the sample request form

[roperrhodes.co.uk/swatches](http://roperrhodes.co.uk/swatches)

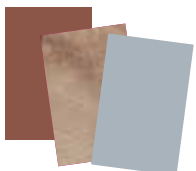




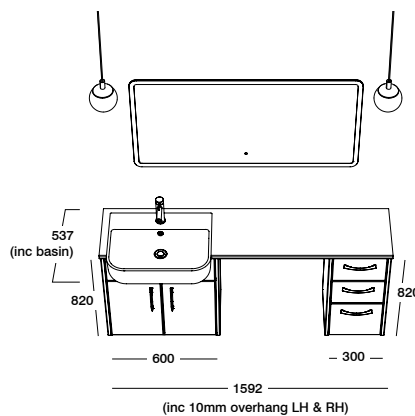
## CREATE THIS LOOK

Want to recreate this look for your new bathroom?

This page shows a helpful floor plan and useful list of items used to design this timeless bathroom.



We offer a free colour swatch service. See page 153 for details.



600MM SEMI-COUNTERTOP UNIT: **AF3SC6.TER.D**

300MM TRIPLE DRAWER UNIT: **AF33DR.TER.D**

INTERIOR CARCASS: **Graphite**

820MM END PANELS x4: **F3P8.TER**

1880MM DARK QUARTZ WORKTOP: **F3W18A.DQ**

ACCENT SEMI-COUNTERTOP BASIN: **A3SCBAS**

STORM-NOVA BASIN MIXER: **T461103**

SEDONA HANDLE x5: **SCHH02B.160**

FRAME MIRROR: **FR120SG**

GLOBE PENDANT LIGHTS x2: **PL01-BL-W**

WALL TILES: [capietra.com](http://capietra.com)

FLOOR TILES: [capietra.com](http://capietra.com)





Clean & contemporary  
ARUBA TERRA

10  
YEAR

GUARANTEE  
Furniture & Taps

20  
YEAR

GUARANTEE  
Ceramics



Opt for a thoroughly contemporary look with this winning combination of warm tones and pared-back design.

This fitted bathroom is designed with space for seating transforming it into a vanity table look. It features ample worktop space, a 560mm basin unit, and a convenient three drawer storage unit, offering a blend of functionality and style. The design is complemented by a black marble effect worktop and striking black brassware and handles, creating a sophisticated and practical bathroom setting.



## TAILOR YOUR LOOK

Combine Aruba with your choice of sanitaryware, brassware and accessories from our extensive collection or recreate our design from the selection below.



PAGE  
93

Accent basin



PAGE  
86

Sedona handle



PAGE  
106

Storm-nova tap



PAGE  
112

Frame mirror

*Clean & contemporary*

## ARUBA OXFORD OAK

10  
YEARGUARANTEE  
Furniture & Taps20  
YEARGUARANTEE  
Ceramics

apex

This versatile finish beautifully mimics the natural appearance and warm tones of real oak, with subtle grain detailing that perfectly complements the furniture frame.

This furniture design features a basin unit that aligns perfectly with a contemporary open storage cabinet and a convenient back-to-wall WC unit, creating a cohesive and functional bathroom setup. It is framed with a white solid surface worktop and complemented by a chic vessel basin, offering a pared-back, modern look.



## TAILOR YOUR LOOK

Combine Aruba with your choice of sanitaryware, brassware and accessories from our extensive collection or recreate our design from the selection below.

PAGE  
95

Round basin

PAGE  
98Note back to  
wall WCPAGE  
106

Storm-nova tap

PAGE  
111

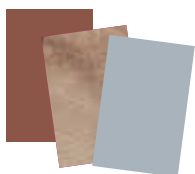
Link mirror



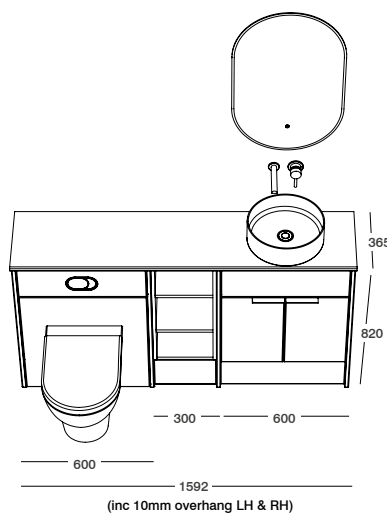
## CREATE THIS LOOK

Want to recreate this look for your new bathroom?

This page shows a helpful floor plan and useful list of items used to design this timeless bathroom.



We offer a free colour swatch service. See page 153 for details.



- 600MM BACK TO WALL UNIT: **AF3BW6.OXO.D**
- 600MM SEMI-COUNTERTOP UNIT: **AF3SC6.OXO.D**
- 300MM SHELF STORAGE UNIT: **AF3SS3.D**
- INTERIOR CARCASS: **Graphite**
- 1000MM PLINTH: **FPL10.OXO**
- END PANELS x4: **F3P8.OXO**
- ROUND COUNTERTOP BASIN: **DC12049**
- 1880MM ARCTIC WHITE WORKTOP: **F3W18A.AR**
- NOTE BACK TO PAN & SEAT: **NBWPAN/NSLSCTS**
- STORM-NOVA WALL MOUNTED BASIN MIXER: **T491904**
- CATALINA HANDLE x2: **SCHH09LW.150**
- LINK MIRROR: **LKM50P**
- OVAL BRUSHED BRASS FLUSH BUTTON: **TR9041**

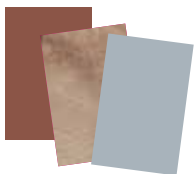
WALL TILES: [claybrookstudio.co.uk](http://claybrookstudio.co.uk)  
 FLOOR TILES: [mandarinstone.com](http://mandarinstone.com)



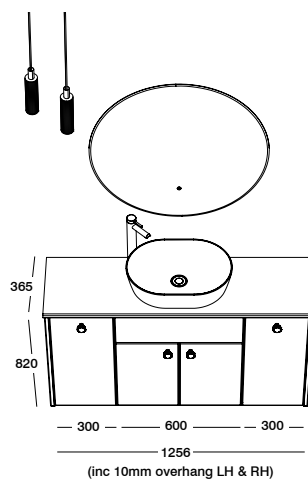
## CREATE THIS LOOK

Want to recreate this look for your new bathroom?

This page shows a helpful floor plan and useful list of items used to design this timeless bathroom.



We offer a free colour swatch service. See page 153 for details.



600MM BASIN UNIT: **AF3SC6.CB.D**

300MM PULL OUT DRAWER UNITS x2: **AF3FC3.CB.D**

INTERIOR CARCASS: **Graphite**

END PANELS x2: **F3P8.CB**

1500MM MASSA MARBLE LAMINATE WORKTOP: **F3W1524.MM**

PILL COUNTERTOP BASIN: **DC12051**

STORM-NOVA TALL BASIN MIXER: **T465003**

FRESNO KNOB x4: **FHHFRE.BR**

LINK MIRROR: **LKM80C**

PENDANT FLUTED LIGHTS x2: **PL02-BL-WIZ**

WALL TILES: [mandarinstone.com](http://mandarinstone.com)

FLOOR TILES: [mandarinstone.com](http://mandarinstone.com)



*Clean & contemporary*

# ARUBA CONISTON BLUE

10  
YEAR

GUARANTEE  
Furniture & Taps

20  
YEAR

GUARANTEE  
Ceramics

apex

Discover a fresh and playful blue finish that pairs beautifully with this contemporary furniture range.

This statement wall-hung furniture unit features a modern countertop basin set atop a laminate marble worktop, delivering a luxurious aesthetic. It is flanked by two tall pull-out drawer units, offering optimal storage solutions. Complemented by a slim depth back-to-wall WC unit, which includes a convenient countertop storage cabinet.



## TAILOR YOUR LOOK

Combine Aruba with your choice of sanitaryware, brassware and accessories from our extensive collection or recreate our design from the selection below.



PAGE  
95 Pill basin



PAGE  
98 Paradigm wall hung WC



PAGE  
106 Storm-Nova tap



PAGE  
111 Link mirror

*Clean & contemporary*

## ARUBA JUNIPER GREEN

Lush and verdant, Juniper Green is the perfect finish for those seeking a sophisticated and tasteful look.

A 600mm basin unit sits neatly alongside a back to wall WC unit for a simple yet stylish configuration that maximises on surface space. Update the design with a bold statement countertop basin and finish with black brassware for an impactful look.



## TAILOR YOUR LOOK

Combine Aruba with your choice of sanitaryware, brassware and accessories from our extensive collection or recreate our design from the selection below.

PAGE  
98Accent back to wall  
WCPAGE  
93

Accent basin

PAGE  
106

Storm-Nova

PAGE  
111

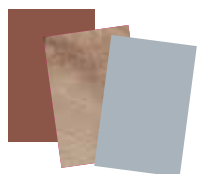
Link mirror



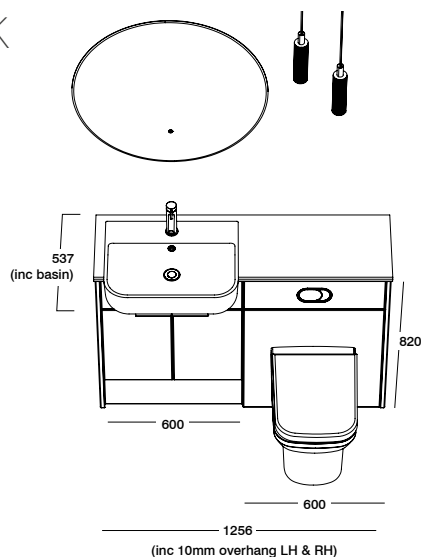
## CREATE THIS LOOK

Want to recreate this look for your new bathroom?

This page shows a helpful floor plan and useful list of items used to design this timeless bathroom.



We offer a free colour swatch service. See page 153 for details.



600MM BACK TO WALL UNIT: **AF3BW6.JNPD**  
 600MM SEMI-COUNTERTOP BASIN UNIT: **AF3SC6.CB.D**  
 INTERIOR CARCASS: **Graphite**  
 END PANELS x3: **F3P8.JNP**  
 1280MM CARRARA WORKTOP: **F3W12A.CA**  
 ACCENT SEMI- COUNTERTOP BASIN: **A3SCBAS**  
 ACCENT BACK TO WALL WC & SEAT: **ABWPAN/ASLSCTS**  
 STORM-NOVA BASIN MIXER: **T461103**  
 CATALINA HANDLE x2: **SCHH09JNP:150**  
 LINK MIRROR: **LKM80C**  
 PENDANT FLUTED LIGHTS x2: **PL02-BL-WIZ**  
 OVAL BLACK FLUSH BUTTON: **TR9040**

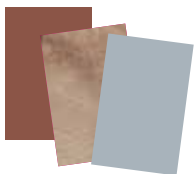
WALL TILES: [mandarinstone.com](http://mandarinstone.com)  
 FLOOR TILES: [capietra.com](http://capietra.com)



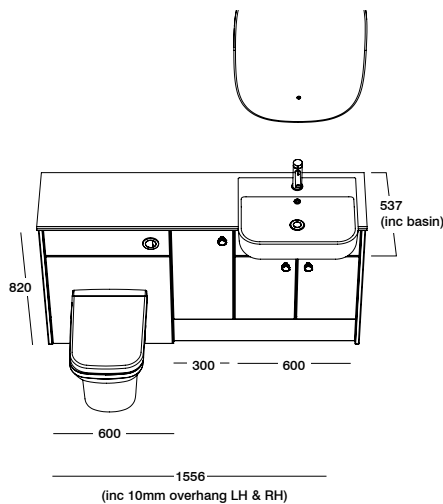
## CREATE THIS LOOK

Want to recreate this look for your new bathroom?

This page shows a helpful floor plan and useful list of items used to design this timeless bathroom.



We offer a free colour swatch service. See page 153 for details.



- 600MM BACK TO WALL UNIT: **AF3BW6.POW.D**
- 600MM SEMI-COUNTERTOP BASIN UNIT: **F3SC6.POW.D**
- 300MM FLOOR CUPBOARD UNIT: **AF3FC3.POW.D**
- INTERIOR CARCASS: **Graphite**
- END PANELS x2: **F3P8.POW**
- 1000MM PLINTH: **FPL10.POW**
- 1880MM ARCTIC WHITE WORKTOP: **F3W18A.AR**
- ACCENT SEMI- COUNTERTOP BASIN: **A3SCBAS**
- ACCENT BACK TO WALL WC & SEAT: **ABWPAN/ASLSCTS**
- STORM-NOVA BASIN MIXER: **T461103**
- HUDSON KNOB x3: **FHHUD.B**
- RITUAL MIRROR: **RLM060**
- ROUND BLACK FLUSH BUTTON: **TR9022**

WALL TILES: [mandarinstone.com](http://mandarinstone.com)  
 FLOOR TILES: [mandarinstone.com](http://mandarinstone.com)



*Clean & contemporary*

## ARUBA POWDER GREY

Discover our true neutral powder grey finish. Perfect for achieving a soft, minimalistic feel in the bathroom.

This standard depth furniture unit is designed for efficiency, sitting alongside a convenient slim storage cupboard and a compact back-to wall WC unit, ideal for smaller spaces. It's finished with sophisticated black brassware and handles, adding a contemporary touch. The look is completed with a polished solid surface worktop and a generous semi-countertop basin.



## TAILOR YOUR LOOK

Combine Aruba with your choice of sanitaryware, brassware and accessories from our extensive collection or recreate our design from the selection below.

PAGE  
98Accent back to wall  
WCPAGE  
93

Accent basin

PAGE  
106

Storm-Nova

PAGE  
111

Ritual mirror

*Clean & contemporary*

## ARUBA MUSSEL

Soft and inviting, this muted finish makes the perfect neutral backdrop to suit any style or design.

Our simple, Paradigm sanitaryware is the ideal match for this muted finish. Pair yours with chrome handles and worktop to add a contemporary edge. Why not add our internal charging station, perfect for toothbrushes or shavers. See more on page 120.



## TAILOR YOUR LOOK

Combine Aruba with your choice of sanitaryware, brassware and accessories from our extensive collection or recreate our design from the selection below.



PAGE  
93 Paradigm  
sanitaryware



PAGE  
87 Madison handle



PAGE  
107 Clear tap



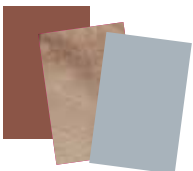
PAGE  
112 Thesis pill mirror



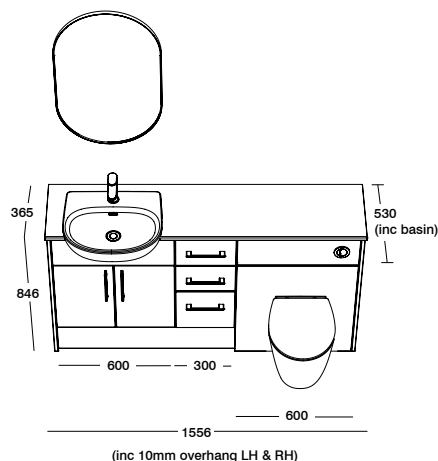
## CREATE THIS LOOK

Want to recreate this look for your new bathroom?

This page shows a helpful floor plan and useful list of items used to design this timeless bathroom.



We offer a free colour swatch service. See page 153 for details.



600MM SEMI-COUNTERTOP UNIT: **AF3SC6.MSL.D**  
 600MM BACK TO WALL UNIT: **AF3BW6.MSL.D**  
 300MM SHELF STORAGE UNITS: **F3SS3.OK.D**  
 INTERIOR CARCASS: **Graphite**  
 1000MM PLINTH: **DFPL10.MSL**  
 END PANEL x2: **F3P8.MSL**  
 1880MM GALACTIC BLACK WORKTOP: **F3W18A.GA**  
 PARADIGM SEMI-COUNTERTOP BASIN: **DC14029**  
 PARADIGM BACK TO WALL WC: **PBWPAN/DC14030**  
 CLEAR BASIN MIXER: **T361102**  
 MADISON HANDLES x5: **FHMAD.C**  
 THESIS PILL MIRROR: **TNM50P**

WALL TILES: [mandarinstone.com](http://mandarinstone.com)  
 FLOOR TILES: [mandarinstone.com](http://mandarinstone.com)

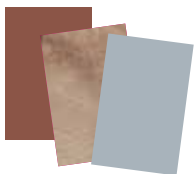




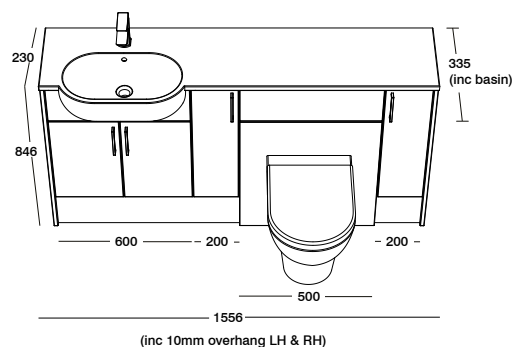
## CREATE THIS LOOK

Want to recreate this look for your new bathroom?

This page shows a helpful floor plan and useful list of items used to design this timeless bathroom.



We offer a free colour swatch service. See page 153 for details.



600MM SEMI-COUNTERTOP UNIT: **AF2SC6.DB.D**  
 500MM BACK TO WALL UNIT: **AF2BW5.DB.D**  
 200MM FLOOR CUPBOARD UNITS x2: **F2FC2.DB.D**  
 INTERIOR CARCASS: **Graphite**  
 1000MM PLINTH: **FPL10.DB**  
 END PANEL x2: **F3AP.DB**  
 MOTIF BASIN & WORKTOP: **MTF3BAS.L**  
 NOTE BACK TO WALL WC: **NBWPAN/NSLSCTS**  
 ELATE BASIN MIXER: **T241104**  
 STOCKTON HANDLES x4: **SCHH04A.128**  
 FRAME MIRROR: **FR60RG**  
 CONTACTLESS DUAL FLUSH SENSOR: **TR9014**

FLOOR TILES: [mandarinstone.com](http://mandarinstone.com)



*Clean & contemporary*

## ARUBA DERWENT BLUE

Dive in at the dark deep end and inject a splash of colour into your bathroom with this sleek flat door style in rich derwent blue. Full of warmth and character it's sure to make the right statement. This fabulous hue offers a sophisticated look that is sure to enrich your bathroom design.

Why not elevate your bathroom space and opt for the Motif solid surface basin with integrated worktop. We've selected the Stockton brass handle and brass Elate tap for a real design statement to keep your bathroom right on trend.

WHITE, BLACK & BRUSHED BRASS OVERFLOW TRIMS ARE AVAILABLE SEE PAGE 105



## TAILOR YOUR LOOK

Combine Aruba with your choice of sanitaryware, brassware and accessories from our extensive collection or recreate our design from the selection below.



PAGE  
91

Motif basin with integrated worktop



PAGE  
98

Note back to wall WC



PAGE  
106

Elate tap



PAGE  
112

600mm Frame circular mirror



*Clean & contemporary*

## ARUBA GLOSS DARK CLAY

Step things up & bring in an element of luxe to enrich your bathroom design with this glossy dark clay finish. Perfect for creating depth & making a statement.

Keep everything sleek and seamless by choosing the City underslung basin with integrated solid surface worktop. The practical 3 drawer unit is perfect for all your smaller bathroom items and will keep clutter at bay.



## TAILOR YOUR LOOK

Combine Aruba with your choice of sanitaryware, brassware and accessories from our extensive collection or recreate our design from the selection below.



PAGE  
90

City integrated basin  
& worktop



PAGE  
98

Zest back to wall WC



PAGE  
87

Stockton handle



PAGE  
113

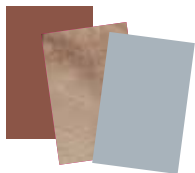
Eminence pill mirror



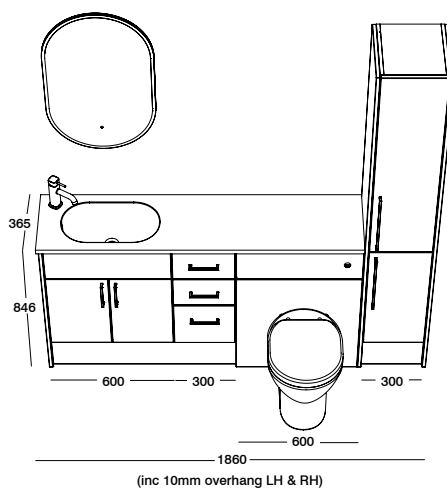
## CREATE THIS LOOK

Want to recreate this look for your new bathroom?

This page shows a helpful floor plan and useful list of items used to design this timeless bathroom.



We offer a free colour swatch service. See page 153 for details.



600MM BASIN UNIT: **AF3SC6.GDC.D**  
 600MM BACK TO WALL UNIT: **AF3BW6.GDC.D**  
 300MM TRIPLE DRAWER UNIT: **AF33DR.GDC.D**  
 300MM FULL HEIGHT UNIT: **AF3FHU3.GDC.D**  
 INTERIOR CARCASS: **Graphite**  
 1500MM PLINTH: **FPL15.GDC**  
 END PANEL x4: **F3APGDC**  
 CITY BASIN & WORKTOP: **C3WTBAS**  
 ZEST BACK TO WALL WC: **ZBWPAN50/ZSCTS45**  
 STOCKTON HANDLES x7: **SCHH04C.128**  
 EMINENCE PILL MIRROR: **EM80PAL**  
 CONTACTLESS DUAL FLUSH SENSOR: **TR9014**

FLOOR TILES: [mandarinstone.com](http://mandarinstone.com)



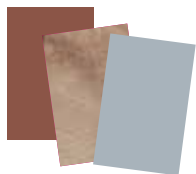


WHY NOT TRY  
PAIRING WITH  
A GRAPHITE  
CARCASS

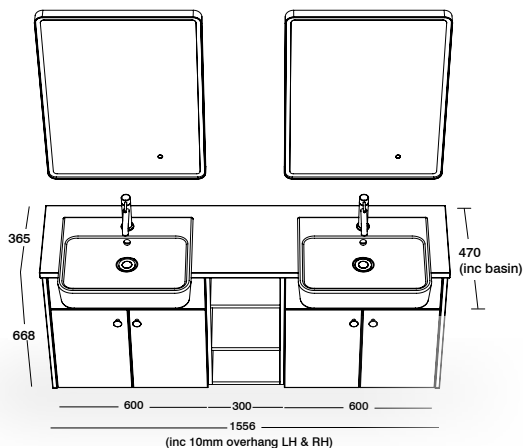
## CREATE THIS LOOK

Want to recreate this look for your new bathroom?

This page shows a helpful floor plan and useful list of items used to design this timeless bathroom.



We offer a free colour swatch service. See page 153 for details.



600MM BASIN UNIT x2: **AF3SC6.W.D**  
300MM FULL HEIGHT UNIT: **F3SS3.D**  
INTERIOR CARCASS: **Graphite**  
END PANELS x2: **F3P8.W**  
1880MM CARRARA WORKTOP: **F3W18A.CA**  
COVER SEMI-COUNTERTOP BASIN x2: **C3SCBAS**  
CRAFT BASIN MIXER x2: **T331102**  
WASHINGTON KNOBS x4: **FHWAS.C**  
FRAME MIRROR x2: **FR60SW**

WALL TILES: [mandarinstone.com](http://mandarinstone.com)  
FLOOR TILES: [mandarinstone.com](http://mandarinstone.com)





*Clean & contemporary*

## ARUBA GLOSS WHITE

A crisp gloss painted white finish for ultimate simplicity of style.

For this clean, minimal look, combine the Aruba white range with Strata solid surface worktop, and the contemporary thin edged Cover basins. The Washington chrome handle provides the perfect finishing touch.



## TAILOR YOUR LOOK

Combine Aruba with your choice of sanitaryware, brassware and accessories from our extensive collection or recreate our design from the selection below.



PAGE 93 Cover basin



PAGE 87 Washington handle



PAGE 106 Craft tap



PAGE 112 600mm Frame mirror



## FINISHING TOUCHES

---



### *Adding the finishing touches*

Personalise your fitted furniture with decorative accents such as worktops or handles, taps, mirrors and cabinets. These details can add personality and make your furniture truly one-of-a-kind.

Adding the finishing touches

# HANDLE OPTIONS



GUARANTEE

We have a comprehensive offer of handles & door knobs to complement our furniture.



**Sedona Pull Chrome**  
160mm(l) SCHH02C.160 £27.10



**Sedona Pull Black**  
160mm(l) SCHH02B.160 £27.10



**Sedona Pull Brushed Brass**  
160mm(l) SCHH02A.160 £27.10



**Sedona Pull Gunmetal**  
160mm(l) SCHH02GM.160 £27.10



**Monterey Pull Chrome**  
160mm(l) FHMON.C.160 £27.10



**Monterey Pull Black**  
160mm(l) FHMON.B.160 £27.10



**Monterey Pull Brushed Brass**  
160mm(l) FHMON.A.160 £27.10



**Tacoma Pull Chrome**  
160mm(l) FHTAC.C.160 £27.10



**Tacoma Pull Black**  
160mm(l) FHTAC.B.160 £27.10



**Tacoma Pull Brushed Brass**  
160mm(l) FHTAC.A.160 £27.10



**Toledo Chrome**  
FHTOLHAN.C £27.10



**Toledo Black**  
FHTOLHAN.B £27.10



**Toledo Brushed Brass**  
FHTOLHAN.A £27.10



**Fresno Chrome**  
35mm(dia) FHFRE.C £33.22

**Fresno Black**  
35mm(dia) FHFRE.B £33.22



**Fresno Brushed Brass**  
35mm(dia) FHFRE.A £33.22

**Fresno Bronze**  
35mm(dia) FHFRE.BR £33.22



**Lexington Chrome & Crystal**  
134mm(l) FHLEX.C £39.30



**Catalina Colour Matched**  
Available in 7 colours

- White SCHI09W.150 £21.20
- Derwent SCHI09DB.150 £21.20
- Blue
- Dark Clay SCHI09GDC.150 £21.20
- Light Grey SCHI09LG.150 £21.20
- Carbon SCHI09MCB.150 £21.20
- Juniper SCHI09JNP.150 £21.20
- Black SCHI09BK.150 £21.20



**Kansas Chrome** - available in 4 sizes

Furniture Unit	Handle	Code	Number Required	Price
200 Cupboard Door Pack	197mm	FHKAN20.C	1	£21.20 each
200 Toilet Roll Holder Door	197mm	FHKAN20.C	1	£21.20 each
300 Cupboard Door Pack	297mm	FHKAN30.C	1	£28.10 each
300 Triple Drawer Fascia Pack	297mm	FHKAN30.C	3	£28.10 each
300 FHU Twin Door Pack	297mm	FHKAN30.C	2	£28.10 each
400 Cupboard Door Pack	397mm	FHKAN40.C	1	£35.10 each
500 SCT Unit Fascia Pack	247mm	FHKAN25.C	2	£24.70 each
600 SCT Unit Fascia Pack	297mm	FHKAN30.C	2	£28.10 each
700 SCT Unit Fascia Pack	347mm	FHKAN35.C	2	£31.50 each





**Stockton Chrome**  
Available in 3 sizes

128mm(l)	SCHH04C.128	£21.80
320mm(l)	SCHH04C.320	£28.10
492mm(l)	SCHH04C.492	£45.40



**Stockton Black**  
Available in 3 sizes

128mm(l)	SCHH04B.128	£21.80
320mm(l)	SCHH04B.320	£28.10
492mm(l)	SCHH04B.492	£45.40



**Stockton Brushed Brass**  
Available in 3 sizes

128mm(l)	SCHH04A.128	£21.80
320mm(l)	SCHH04A.320	£28.10
492mm(l)	SCHH04A.492	£45.40



**Columbus Chrome**

174mm(l)	FHCOL.C	£27.70
----------	---------	--------



**Oakland Chrome**

183mm(l)	FHOAK.C	£27.70
----------	---------	--------



**Montana Black**

110mm(l)	FHMON.B	£11.20
----------	---------	--------



**Montana Chrome**

110mm(l)	FHMON.C	£11.20
----------	---------	--------



**Fresno Pull Chrome**

196mm(l)	FHFREHAN.C.160	£69.00
----------	----------------	--------



**Fresno Black**

196mm(l)	FHFREHAN.B.160	£69.00
----------	----------------	--------



**Fresno Pull Brushed Brass**

196mm(l)	FHFREHAN.A.160	£69.00
----------	----------------	--------



**Fresno Pull Bronze**

196mm(l)	FHFREHAN.BR.160	£69.00
----------	-----------------	--------



**Hudson Chrome**

29mm(dia)	FHHUD.C	£27.10
-----------	---------	--------



**Hudson Brushed Brass**

29mm(dia)	FHHUD.A	£27.10
-----------	---------	--------



**Hudson Black**

29mm(dia)	FHHUD.B	£27.10
-----------	---------	--------



**Berkeley Chrome**

34mm(dia)	FHBER.C	£34.00
-----------	---------	--------



**Berkeley Black**

34mm(dia)	FHBER.B	£34.00
-----------	---------	--------



**Berkeley Brushed Brass**

34mm(dia)	FHBER.A	£34.00
-----------	---------	--------



**Westport Glass & Chrome**

33mm(dia)	FHWST.C	£27.10
-----------	---------	--------



**Westport Black**

33mm(dia)	FHWST.B	£27.10
-----------	---------	--------



**Westport Brushed Brass**

33mm(dia)	FHWST.A	£27.10
-----------	---------	--------



**Fairfax Chrome**

29mm(dia)	FHFAX.C	£33.20
-----------	---------	--------



**Fairfax Black**

29mm(dia)	FHFAX.B	£33.20
-----------	---------	--------



**Fairfax Brushed Brass**

29mm(dia)	FHFAX.A	£33.20
-----------	---------	--------



**Fairfax Bronze**

29mm(dia)	FHFAX.BR	£33.20
-----------	----------	--------



**Washington Chrome**

32mm(dia)	FHWAS.C	£11.50
-----------	---------	--------



**Washington Brushed Brass**

32mm(dia)	FHWAS.A	£11.50
-----------	---------	--------



**Washington Black**

32mm(dia)	FHWAS.B	£11.50
-----------	---------	--------



**Caldwell Bronze**

30mm(dia)	FHCAL.BR	£20.40
-----------	----------	--------



**Henderson Chrome**

39mm(dia)	FHHEN.C	£11.50
-----------	---------	--------



**Reno Chrome**

32mm(dia)	FHREN.C	£21.80
-----------	---------	--------



**Madison Chrome**

171mm(l)	FHMAD.C	£27.10
----------	---------	--------



**Vermont Chrome**

135mm(l)	FHVER.C	£21.80
----------	---------	--------

*Adding the finishing touches*

## WORKTOP OPTIONS

10  
YEAR  
GUARANTEE

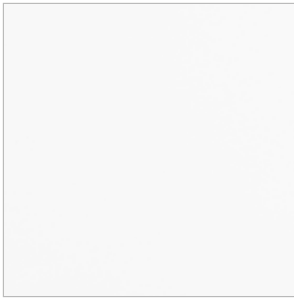
The choice is yours with our diverse collection of worktop finishes, materials & styles.

Strata worktops are completely solid and can be cut to whatever size or shape your bathroom demands, with no need to bond on finishing strips. Simply cut to the desired profile and sand down the end to a fine finish. Adhesive is also available for joining longer runs or corner installations.

As with any solid surface product, darker finishes will show some scratches over time, however these can be very easily sanded and polished out to keep your worktop in pristine condition.



## STRATA SOLID SURFACE WORKTOPS



Arctic White



Ice White



Carrara



Grey Quartz



Dark Quartz



Galactic Black



GUARANTEE

High quality & durable. our range of laminate worktops will add style to your bathroom. Specifically chosen to complement our extensive range of door & unit colours, a little inspiration will allow you to use the worktops in imaginative ways to create a striking effect.



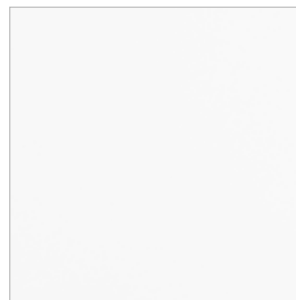
## LAMINATE WORKTOPS



Massa Marble



Portland Stone



White



Veneto Marble



Natural Oak



Matt White Sparkle



Riven Slate



Black Granite



Black Marble

*Adding the finishing touches*

## BASINS WITH INTEGRATED WORKTOPS

20  
YEAR  
GUARANTEE

Expertly moulded into a single piece, our basins with integrated worktops strike the perfect balance between form & function. Choose from the City basin or opt for the semi-recessed Motif basin style for a clean, minimalist look.

### CITY BASIN

The natural beauty of the solid surface worktop flows effortlessly into the deep, spacious wash basin.

Provided in 1640mm length, the worktop can be cut down to size to suit your installation and finished so that exposed ends can be visible. To be used with standard depth 600mm semi-countertop, with a maximum furniture run of 1620mm including end panels. It works equally well with both classic and contemporary bathroom designs.

See page 147 for further details.





## MOTIF BASIN

The Motif basin is available in 1640mm length and the worktop can be cut down to size to suit your installation and finished so that exposed ends can be visible. Available in standard or slim depths and left or right handed versions.

Motif is to be used with 600mm semi-countertop units only, with a maximum furniture run of 1620mm including end panels. It works equally well with both classic and contemporary bathroom designs.

See page 147 for further details.



*Adding the finishing touches*

## OUR BASIN & WC STYLES

---

Whatever your personal style, you'll find something to suit your style. Specifically designed to work with our ranges of fitted furniture; including back to wall and wall hung WCs as well as semi-countertop basin options available in a choice of standard or slim depth depending on your installation.





5  
YEAR  
GUARANTEE  
Cistern Fittings



10  
YEAR  
GUARANTEE  
WC Seats



20  
YEAR  
GUARANTEE  
Ceramics

# SEMI-COUNTERTOP BASINS

Browse our selection of semi-countertop basins to find the perfect option for your bathroom. Our collection includes both contemporary and classic designs, with the option of standard and slim depth basins, giving you plenty of choice no matter which fitted furniture range you decide on.

## STANDARD DEPTH



**Paradigm 475mm standard depth semi-countertop basin**  
Min furniture depth 275mm  
475(w) x 150(h) x 420(d)mm

DC14029      £137.00



**Accent 560mm standard depth semi-countertop basin**  
Min furniture depth 293mm  
560(w) x 125(h) x 430(d)mm

A3SCBAS      £343.00



**Cover 560mm standard depth semi-countertop basin**  
Min furniture depth 290mm  
560(w) x 175(h) x 435(d)mm

C3SCBAS      £232.00



**Note 560mm standard depth semi-countertop basin**  
Min furniture depth 300mm  
560(w) x 133(h) x 430(d)mm

N3SCBAS      £343.00



**Widcombe semi-countertop standard depth basin 1TH**  
Min furniture depth 275mm  
490(w) x 140(h) x 420(d)mm

W3SCBAS1TH      £215.00



**Widcombe semi-countertop standard depth basin 2TH**  
Min furniture depth 275mm  
490(w) x 140(h) x 420(d)mm

W3SCBAS2TH      £215.00



**Harrow semi-countertop basin 1TH**  
Min furniture depth 270mm  
550(w) x 195(h) x 435(d)mm

SCSB850S      £209.00



**Harrow semi-countertop basin 2TH**  
Min furniture depth 270mm  
550(w) x 195(h) x 435(d)mm

SCDB850S      £209.00



**Zest 500mm standard depth semi-countertop basin**  
Min furniture depth 250mm  
500(w) x 166(h) x 429(d)mm

Z3SCBAS      £343.00

## SLIM DEPTH



**Paradigm 475mm slim depth semi-countertop basin**  
Min furniture depth 218mm  
475(w) x 150(h) x 370(d)mm

DC14028      £127.00



**Accent 550mm slim depth semi-countertop basin**  
Min furniture depth 218mm  
550(w) x 125(h) x 337(d)mm

A2SCBAS      £324.00



**Cover 560mm slim depth semi-countertop basin**  
Min furniture depth 218mm  
560(w) x 175(h) x 345(d)mm

C2SCBAS      £219.00



**Note 540mm slim depth semi-countertop basin**  
Min furniture depth 215mm  
540(w) x 140(h) x 330(d)mm

N2SCBAS      £324.00



**Widcombe slim depth semi-countertop basin 1TH**  
Min furniture depth 218mm  
490(w) x 140(h) x 370(d)mm

W2SCBAS1TH      £193.50



**Widcombe slim depth semi-countertop basin 2TH**  
Min furniture depth 218mm  
490(w) x 140(h) x 370(d)mm

W2SCBAS2TH      £193.50



**Zest 435mm slim depth semi-countertop basin**  
Min furniture depth 210mm  
435(w) x 160(h) x 350(d)mm

Z2SCBAS      £324.00







*Adding the finishing touches*

## COUNTERTOP BASINS



GUARANTEE  
Cistern Fittings



GUARANTEE  
WC Seats



GUARANTEE  
Ceramics

Create a hotel look in your home by upgrading to one of our countertop basin options.

When placed on a worktop, these oval or rectangular basins provide a clean uncluttered finish. A distinctive and attractive alternative to conventional bathroom basin.

Why not define the overall style of your fitted furniture unit further by choosing an aspirational solid surface natural stone-like worktop, alternatively choose a laminate worktop from our range of go to laminate finishes. See pages 142 and 144 for more details.



Round Basin  
380(w) x 155(h) x 380(d)mm

Basin DC12048 **£110.00**



Round Basin \*  
360(w) x 120(h) x 360(d)mm

Basin DC12049 **£125.00**



Black Round Basin \*  
360(w) x 120(h) x 360(d)mm

Basin DC12050 **£200.00**



Pill Basin \*  
490(w) x 130(h) x 360(d) mm

Basin DC12051 **£150.00**



Rectangular Basin \*  
455(w) x 135(h) x 325(d)mm

Basin DC12053 **£150.00**

\* These basins do not have overflows and must be used with an open waste.



*Adding the finishing touches*

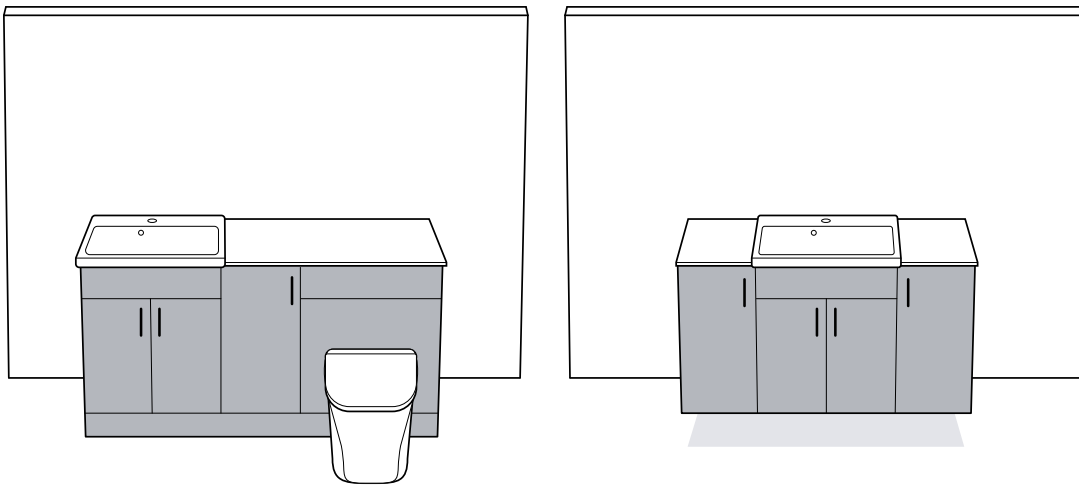
# INLINE ISOCAST BASINS

Why not try our new club inline basin for a sleek and minimal look?

Designed to work with our standard depth Elan, Burford & Aruba 600mm basin units, the club inline basin sits into your fitted furniture unit, giving you a low-profile and effortless finish. Club inline allows you to make the most of your worktop space, whilst still offering a practical and deep wash basin. Simply pair with your desired standard depth laminate or solid surface worktop finish, details available on pages 142-144.

## CONSIDER YOUR CONFIGURATION

Club inline is designed to be flexible and work with you. Below are some typically popular layout examples, to give you an idea of how inline could be used in your space.



1200mm Fitted Furniture Runs



600mm Club Inline Isocast Basin

Basin	CL60537	£270.00
-------	---------	---------

5  
YEAR

GUARANTEE  
Cistern Fittings

10  
YEAR

GUARANTEE  
WC Seats

20  
YEAR

GUARANTEE  
Ceramics



Adding the finishing touches

## BACK TO WALL WCs



5  
YEAR  
GUARANTEE  
Cistern Fittings



10  
YEAR  
GUARANTEE  
WC Seats



20  
YEAR  
GUARANTEE  
Ceramics

Our collection includes both contemporary and classic designs, giving you plenty of choice no matter which fitted furniture range you decide on. Comfort height WCs are several centimetres taller than standard height WCs, ideal for taller or elderly users.

	 <b>COMFORT HEIGHT</b>		 <b>MATT WHITE FINISH</b>
<b>Paradigm back to wall WC &amp; soft close seat</b> 369(w) x 410(h) x 490(d)mm	<b>Paradigm comfort height back to wall WC &amp; soft close seat</b> 369(w) x 460(h) x 490(d)mm	<b>Accent back to wall WC &amp; slim soft close seat</b> 360(w) x 420(h) x 510(d)mm	<b>Accent back to wall WC &amp; slim soft close seat</b> 360(w) x 420(h) x 510(d)mm
WC PBWPAN <b>£288.00</b> Seat DC14030 <b>£99.00</b>	WC PCHBPAN <b>£346.00</b> Seat DC14030 <b>£99.00</b>	WC ABWPAN <b>£432.00</b> Seat ASLSCTS <b>£105.00</b>	WC ABWPANMW <b>£604.00</b> Seat ASLSCTSMW <b>£149.00</b>
		 <b>MATT WHITE FINISH</b>	
<b>Cover back to wall WC &amp; soft close seat</b> 360(w) x 390(h) x 530(d)mm	<b>Note back to wall WC &amp; slim soft close seat</b> 360(w) x 420(h) x 500(d)mm	<b>Note back to wall WC &amp; slim soft close seat</b> 360(w) x 420(h) x 500(d)mm	<b>Zest 450mm back to wall WC &amp; slim soft close seat</b> 360(w) x 420(h) x 500(d)mm
WC CBWPAN-R <b>£336.00</b> Seat CSCTS-SF <b>£99.00</b>	WC NBWPAN <b>£432.00</b> Slim seat NSLSCTS <b>£105.00</b>	WC NBWPANMW <b>£604.00</b> Slim seat NSLSCTSMW <b>£147.00</b>	WC ZBPAN45 <b>£354.00</b> Seat ZSCTS45 <b>£136.50</b>
			
<b>Zest 500mm back to wall WC &amp; soft close seat</b> 350(w) x 420(h) x 500(d)mm	<b>Harrow back to wall WC &amp; soft close seat</b> 385(w) x 410(h) x 520(d)mm	<b>Widcombe back to wall WC &amp; slim soft close seat</b> 360(w) x 410(h) x 490(d)mm	
WC ZBPAN50 <b>£379.00</b> Seat ZSCTS50 <b>£136.50</b>	WC BTW850S <b>£263.00</b> Seat HSCTSW <b>£128.00</b>	WC WBWPAN <b>£294.00</b> Seat WSCTS-SF <b>£99.00</b>	



# CLOSE COUPLED WCs



5  
YEAR  
GUARANTEE  
Cistern Fittings



10  
YEAR  
GUARANTEE  
WC Seats



20  
YEAR  
GUARANTEE  
Ceramics

Close coupled WCs are a conventional style toilet where the cistern sits on top of the pan. Compact and space-saving reducing the overall footprint of the WC.



**Paradigm close coupled fully enclosed WC, soft close seat 5/3L\***  
369(w) x 825(h) x 640(d)mm

WC	PCCPAN	<b>£331.00</b>
Cistern	DC14035-A	<b>£111.00</b>
Seat	DC14030	<b>£99.00</b>

\* Paradigm close coupled WC Spigot distance from wall 150mm



**Paradigm comfort height close coupled fully enclosed WC & soft close seat 5/3L\***  
369(w) x 875(h) x 640(d)mm

WC	PCHCCPAN	<b>£398.00</b>
Cistern	DC14035-A	<b>£111.00</b>
Seat	DC14030	<b>£99.00</b>



**Paradigm close coupled WC & soft close seat 5/3L\***  
369(w) x 825(h) x 640(d)mm

WC	PCCPAN2	<b>£299.00</b>
Cistern	DC14035-A	<b>£111.00</b>
Seat	DC14030	<b>£99.00</b>



**Paradigm comfort height close coupled WC & soft close seat 5/3L\***  
369(w) x 875(h) x 640(d)mm

WC	PCHCCPAN2	<b>£359.00</b>
Cistern	DC14035-A	<b>£111.00</b>
Seat	DC14030	<b>£99.00</b>



**Cover close coupled fully enclosed WC & seat 6/3L\***  
Cistern, dual flush fittings included  
375(w) x 812(h) x 630(d)mm

WC	CCCPAN-R	<b>£384.00</b>
Cistern	CCCTNK-R	<b>£185.00</b>
Seat	CSCTS-SF	<b>£99.00</b>

\* Cover close coupled WC Spigot distance from wall 180mm



**Harrow close coupled WC & soft close seat 6/4L**  
485(w) x 785(h) x 705(d)mm

WC	HCCPAN	<b>£209.00</b>
Cistern	HCCTNK	<b>£173.00</b>
Seat	HSCTSW	<b>£128.00</b>



## TOILET SEAT OPTIONS



**Wooden soft close seats. For use with Harrow WCs**  
375(w) x 430(d)mm  
**WHITE SEAT**

Chrome hinge	HSCTSW	<b>£128.00</b>
Brass hinge	HSCTSWB-SF	<b>£128.00</b>



**Wooden soft close seats. For use with Harrow WCs**  
375(w) x 430(d)mm  
**OAK SEAT**

Chrome hinge	HSCTSNO	<b>£143.00</b>
--------------	---------	----------------



**Widcombe close coupled WC & soft close seat 6/4L\***  
360(w) x 825(h) x 620(d)mm

WC	WCCPAN2	<b>£304.00</b>
Cistern	WCCTNKCHR	<b>£164.00</b>
	+ chrome handle	
Cistern	WCCTNKBRS	<b>£194.00</b>
	+ brushed brass handle	
Seat	WSCTS-SF	<b>£99.00</b>



**Widcombe close coupled fully enclosed WC & soft close seat 6/4L\***  
360(w) x 825(h) x 620(d)mm

WC	WCCPAN	<b>£337.00</b>
Cistern	WCCTNKCHR	<b>£164.00</b>
	+ chrome handle	
Cistern	WCCTNKBRS	<b>£194.00</b>
	+ brushed brass handle	
Seat	WSCTS-SF	<b>£99.00</b>

\* Widcombe close coupled WC Spigot distance from wall 140mm

## CISTERN CHOICE

Choose a chrome or brushed brass handle version of your Widcombe cistern



## CISTERN CHOICE

Contactless Flush Cisterns available for Paradigm and Cover WCs see page 104 for full details.

Adding the finishing touches

## WALL HUNG WCs



GUARANTEE  
Cistern Fittings



GUARANTEE  
WC Seats



GUARANTEE  
Ceramics

A wall hung WC is a WC which hangs on the wall, or a back to wall WC unit, supported by a specially designed WC frame. Wall hung WCs are the perfect choice when you are looking for a space-saving solution or a very clean, contemporary look.



**Paradigm wall hung WC & soft close seat**

369(w) x 300(h) x 490(d)mm

WC	PWHPAN	£288.00
Seat	DC14030	£99.00



**Accent wall hung WC & slim soft close seat**

360(w) x 275(h) x 505(d)mm

WC	AWHPAN	£432.00
Seat	ASLSCTS	£105.00



MATT  
WHITE  
FINISH

**Accent wall hung WC & slim soft close seat**

360(w) x 275(h) x 505(d)mm

WC	AWHPANMW	£604.00
Seat	ASLSCTSMW	£149.00



**Cover wall hung WC & soft close seat**

355(w) x 320(h) x 525(d)mm

WC	CWHPAN-R	£384.00
Seat	CSCTS-SF	£99.00



**Note wall hung WC & slim soft close seat**

370(w) x 460(h) x 490(d)mm

WC	NWHPAN	£432.00
Slim seat	NSLSCTS	£105.00



MATT  
WHITE  
FINISH

**Note wall hung WC & slim soft close seat**

360(w) x 420(h) x 500(d)mm

WC	NWHPANMW	£604.00
Slim seat	NSLSCTSMW	£147.00



**Zest 500mm wall hung WC & soft close seat**

350(w) x 280(h) x 500(d)mm

WC	ZWHPAN50	£372.00
Seat	ZSCTS50	£136.50



**Secure-Fix QR** Adjustable hinge technology that simplifies the installation of quick release seats and keeps the seat firmly in place

# WALL HUNG WC FRAMES & CONCEALED CISTERNS



5  
YEAR  
GUARANTEE  
Cistern Fittings



10  
YEAR  
GUARANTEE  
WC Seats



20  
YEAR  
GUARANTEE  
Ceramics

Made with efficiency and functionality in mind, our cisterns and frames are designed to offer the maximum performance while keeping the layout of your bathroom clean and uncluttered.



## 1.17m wall hung WC frame

500(w) x 1168(h) x 140 - 200mm(d)  
6/3 litres

1.17m frame TR9006 **£338.00**

Use for in-wall applications, includes fittings, requires flush plate/button, or contactless sensor (available separately). Air Gap inlet valve. 200mm height adjustment.



## 1.0M wall hung WC frame

500(w) x 1000(h) x 167 - 215mm(d)  
6/3 litres

1.0m frame TR9015 **£338.00**

Ideal for boxed in applications, especially under windows. Requires flush plate/button, or contactless sensor (available separately). Air Gap inlet valve. 200mm height adjustment.



## 0.82 wall hung WC frame

500(w) x 820(h) x 167 - 215mm(d)  
6/3 litres

0.82m frame TR9005 **£338.00**

Furniture Adaptor Kit TR9007 **£57.70**



Furniture adaptor kit



## 0.4M WC / bidet frame

400(w) x 400(h) x 170 - 335mm(d)

0.4m frame TR9018 **£156.50**

Compact half height WC frame suitable for use in narrow back to wall units including 500mm wide. For use with Torrent, Cascade or comfort height cisterns. Can also be used for bidets. Air Gap inlet valve. 200mm height adjustment.



**6/3L Comfort height cistern with chrome flush button**  
437(w) x 324(h) x 165(d)mm

TR9008 **£136.00**

Developed specifically to allow comfort height back to wall pans to be used in 820mm high furniture.

Bottom entry inlet valve. Top or front flush plate mounting. 1/2" BSP. PS insulation jacket. Pneumatic flush valve. Optional flush button upgrades available.



**6/3L Torrent concealed cistern side inlet with chrome flush button**  
434(w) x 365(h) x 140(d)mm

TR9001 **£136.00**

Bottom entry inlet valve. Air Gap inlet valve. Top or front flush plate mounting. 1/2" BSP. PS insulation jacket. Pneumatic flush valve. Optional flush button upgrades available.



**6/3L Cascade concealed cistern side inlet with chrome flush button**  
464(w) x 365(h) x 140(d)mm

TR9002 **£136.00**

Side entry inlet valve. Top or front flush plate mounting. 1/2" BSP. PS insulation jacket. Pneumatic flush valve. Optional flush button upgrades available



**6/3L in-wall cistern**  
600(w) x 745max(h) x 138-194(d)mm

TR9009 **£154.50**

Ideal for tiled in applications. All parts serviceable through flush plate aperture.

Internal isolation valve, 150mm height adjustment. Air Gap inlet valve. Top or front flush plate mounting. 1/2" BSP. Requires flush plate/button, or contactless sensor (available separately).

Adding the finishing touches

## FLUSH PLATES



GUARANTEE  
Cistern Fittings



GUARANTEE  
WC Seats



GUARANTEE  
Ceramics

Whether you need a contemporary or traditional look, we have flush plates to suit. Compatible for use with our wall hung frames or as an optional upgrade for cisterns.



Plaza dual flush push plate  
210(w) x 137mm(h)

Black TR9020 **£63.80**



Plaza dual flush push plate  
210(w) x 137mm(h)

Brushed brass TR9036 **£104.00**



Plaza dual flush push plate  
210(w) x 137mm(h)

Chrome TR9010 **£52.00**



Plaza dual flush push plate  
210(w) x 137mm(h)

Stainless Steel TR9019 **£124.00**



Rondo dual flush push plate  
210(w) x 137mm(h)

Black TR9021 **£63.80**



Rondo dual flush push plate  
210(w) x 137mm(h)

Brushed brass TR9037 **£104.00**



Rondo dual flush push plate  
210(w) x 137mm(h)

Chrome TR9012 **£52.00**



Glass flush push plate  
210(w) x 137mm(h)

Black TR9029 **£142.00**



Ellipse dual flush push plate  
210(w) x 142mm(h)

Chrome TR9004 **£52.00**



Traditional flush push plate  
210(w) x 137mm(h)

Chrome TR9017 **£59.80**

### OPTIONAL UPGRADES FOR CONCEALED CISTERNS

Designed to work with furniture back to wall WC units. Optional upgrades for torrent cisterns.



Square dual flush button  
72(w) x 72mm(h)

Black TR9028 **£24.10**  
Brushed Brass TR9035 **£48.10**  
Chrome TR9003 **£19.20**



Round dual flush button  
72(w) x 72mm(h)

Black TR9022 **£24.10**  
Brushed brass TR9034 **£48.10**



Oval flush button\*  
140(w) x 80mm(h)

Chrome TR9023 **£65.70**  
Black TR9040 **£82.10**  
Brushed Brass TR9041 **£99.00**

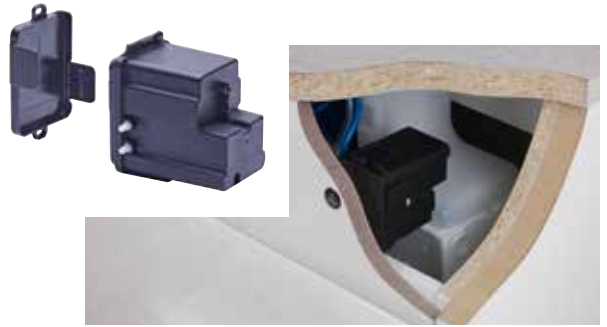
ANTI  
FINGERPRINT



\* Not compatible with comfort cistern when used in slim depth furniture



# FLUSHING SOLUTIONS



## CONTACTLESS DUAL FLUSH SENSOR

- Provides a touchless flush, with just the wave of a hand
- Best used with concealed cisterns in furniture
- Powered by 4 x AA batteries
- Low battery power alarm, battery life in excess of 1 year (normal domestic conditions, good quality batteries)
- Dual flush
- Discreet decal included to indicate sensor location
- Works through surfaces up to 25mm thick (including ceramic tiles, fascias & worktops)

**Contactless dual flush sensor**  
use with concealed cisterns

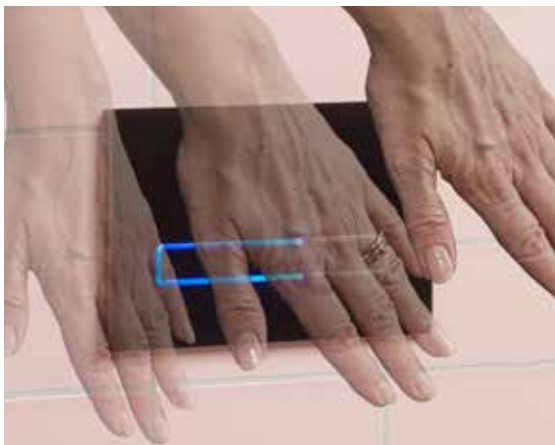
Sensor kit	TR9014	£166.00
------------	--------	---------



SENSOR VIDEO  
See how easy it is to use & maintain the sensor



## CONTACTLESS SENSOR DUAL FLUSH PLATE



- Recommended for in-wall installations
- Contactless flushing
- Powered by 4 x AA batteries (easy to change, no tools required)
- Low battery power alarm (battery life in excess of 1 year)
- Dual flush
- Manual override flush
- Illuminates on operation
- Use on wall hung frames and In-wall cistern (not compatible with slim depth furniture)

**Contactless sensor flush plate**  
210(w) x 137(h)mm

Black	TR9025	£185.50
-------	--------	---------

## TOUCH OPERATED SENSOR DUAL FLUSH PLATE



- Recommended for furniture or lower height installations
- Touch operated to prevent inadvertent use
- Powered by 4 x AA batteries (easy to change, no tools required)
- Low battery power alarm (battery life in excess of 1 year)
- Dual flush
- Manual override flush
- Illuminates on operation
- Use on wall hung frames and In-wall cistern (not compatible with slim depth furniture)

**Touch operated sensor flush plate**  
210(w) x 137(h)mm

Black	TR9016	£185.50
-------	--------	---------



SENSOR VIDEO  
See how easy it is to use & maintain the sensor



# MATCHING TRIM UPGRADES

## WC FLOOR FIXING CAPS UPGRADE

Upgrade to black or brushed brass seat hinge cover caps for the following ranges.

### Paradigm (DC14030) Note (NSLSCTS)

Black	DC4011	£19.20
Brushed brass	DC4012	£33.20

### Widcombe Thermoset Seat (WSCTS-SF)

#### Accent (ASCTS)

Black	DC4019	£18.30
Brushed brass	DC4020	£31.70

#### Accent (ASLSCTS & ASLSCTSMW)

Black	DC4026	£31.70
Brushed brass	DC4027	£31.70

### Cover (CSCTS-SF) Zest (ZSCTS45)

Black	DC4023	£18.30
Brushed brass	DC4024	£31.70



DC4011



DC4020

## FLUSH BUTTON UPGRADE FOR CISTERNS

Upgrade your close coupled cistern to black or brushed brass flush buttons.

Use the ø48mm button for the following ranges

- Paradigm close coupled cistern p99



### ø48mm flush button cistern upgrade

Black	TR9027	£19.20
Brushed Brass	TR9039	£24.10

Use the ø38mm button and flush valve TR9033 (opposite) for the following ranges.

- Cover close coupled cistern p99



### ø38mm flush button cistern upgrade

Black	TR9026	£19.20
Brushed Brass	TR9038	£24.10

## OVERFLOW CAPS UPGRADE FOR BASINS

Upgrade your semi-countertop basin to black or brushed brass overflow caps.

- Cover & Zest (not suitable for Paradigm & Accent)



Black	OVMCBK	£10.50
Brushed Brass	OVMCA	£10.50



Adding the finishing touches

# TAP COLLECTION



PVD hardwearing & scratch resistant coating. Brushed brass only



GUARANTEE including tap cartridge

Designed to deliver the finishing touch to your bathroom, our basin mixers are not only beautiful to look at but superbly well engineered for durability too.

From ultra contemporary to more timeless designs, there is something to suit everyone. Most taps also have a coordinating bath filler. **Please refer to the main Roper Rhodes Bathroom Book for more information.**

All Roper Rhodes taps use the latest highly reliable ceramic cartridge and ceramic disc technology. Our brushed brass taps include a hardwearing and scratch resistant PVD coating. As testament to this in-built quality, all of our taps are provided with a ten year guarantee.



STORM-NOVA



**Storm-Nova tall basin mixer with click waste**  
52(w) x 298(h) x 135(d)mm  
Minimum operating pressure 0.2bar

Chrome	T465002	£227.00
Black	T465003	£285.00
Brushed Brass	T465004	£343.00



**Storm-Nova wall mounted basin mixer**  
160(w) x 120(h) x 180mm(d)  
Minimum operating pressure 0.2bar

Chrome	T491902	£180.00
Black	T491903	£237.50
Brushed Brass	T491904	£285.00



**Storm-Nova basin mixer with click waste**  
42(w) x 158(h) x 136mm(d)  
Minimum operating pressure 0.2bar

Chrome	T461102	£180.00
Black	T461103	£222.00
Brushed Brass	T461104	£270.00

METRIC



**Metric basin mixer with click waste**  
52(w) x 160(h) x 160mm(d)  
Minimum operating pressure 0.2bar

Chrome	T391102	£222.00
Black	T391103	£264.00
Brushed Brass	T391104	£291.00

CRAFT



**Craft wall mounted basin mixer**  
160(w) x 120(h) x 205mm(d)  
Minimum operating pressure 0.2bar

Chrome	T331902	£204.00
--------	---------	---------



**Craft basin mixer with click waste**  
56(w) x 164(h) x 165mm(d)  
Minimum operating pressure 0.2bar

Chrome	T331102	£214.00
--------	---------	---------

HYDRA



**Hydra basin mixer with click waste**  
50(w) x 157(h) x 158mm(d)  
Minimum operating pressure 0.2bar

Chrome	T151102	£224.00
Black	T151103	£224.00
Brushed Brass	T151104	£224.00

**Please note:** Black & Brushed Brass finishes are only available for the Hydra basin mixer with click waste.

ELATE



**Elate basin mixer with click waste**  
53(w) x 150(h) x 175mm(d)  
Minimum operating pressure 0.5bar

Chrome	T241102	£256.00
Black	T241103	£256.00
Brushed Brass	T241104	£256.00

**Please note:** Black & Brushed Brass finishes are only available for the Elate basin mixer with click waste.



SCAPE



**Scape basin mixer with click waste**  
58(w) x 165(h) x 158mm(d)  
Minimum operating pressure 0.2bar

Chrome T351102 **£214.00**

CLEAR



**Clear basin mixer with click waste**  
54(w) x 173(h) x 160mm(d)  
Minimum operating pressure 0.2bar

Chrome T361102 **£214.00**

SIGN



**Sign basin mixer with click waste**  
55(w) x 175(h) x 150mm(d)  
Minimum operating pressure 1.0bar

Chrome T171102 **£241.50**

SYNC



**Sync basin mixer with click waste**  
52(w) x 150(h) x 155mm(d)  
Minimum operating pressure 0.5bar

Chrome T201102 **£212.50**

STORM



**Storm basin mixer with click waste**  
58(w) x 155(h) x 149mm(d)  
Minimum operating pressure 0.1bar

Chrome T221002 **£179.00**

WESSEX



**Wessex basin mixer with click waste**  
218(w) x 275(h) x 180mm(d)  
Minimum operating pressure 0.1bar

Chrome T661002 **£289.00**

CRANBOURNE



**Cranbourne basin mixer with click waste**  
190(w) x 192(h) x 170mm(d)  
Minimum operating pressure 0.2bar

Chrome T311102 **£214.00**

KESWICK

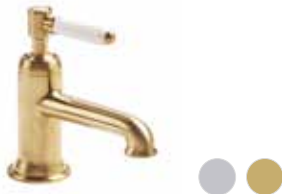


**Keswick basin mixer with click waste**  
168(w) x 200(h) x 160mm(d)  
Minimum operating pressure 0.2bar

Chrome T321102 **£214.00**

Brushed Brass T321104 **£301.00**

KESWICK



**Basin mono basin mixer with click waste**  
62(w) x 162(h) x 160(d)mm  
Minimum operating pressure 0.2bar

Chrome T322502 **£200.50**

Brushed Brass T322504 **£285.00**

HENLEY



**Henley basin mixer with pop up waste**  
224(w) x 117(h) x 167mm(d)  
Minimum operating pressure 0.1bar

Chrome T261102 **£213.00**



For matching mini basin mixers, bath fillers and bath shower mixers, **please see our Bathroom Book or visit roperrhodes.co.uk**





# MIRRORS, CABINETS & LIGHTING

---



*Explore the mirror, cabinet  
& lighting collection*

Our product designers are experts in creating mirrors, cabinets and lighting that offer style and substance. With a whole host of ingenious features, their brief is always to make your daily routine as seamless as possible.

Find all the features you need in a style you love with our wide range of shapes, sizes and finishes.

*Adding the finishing touches*

# MIRRORS FEATURES & BUYING GUIDE

Use the table below to guide you around our mirror collection and help you find the features which are important to you when selecting your new mirror.

	Connected by WIZ	LED lighting	Variable warm to cool & dimmable LEDs	Infrared sensor	Touch controls	Heated demister	Bluetooth® wireless technology	Two-pin charging socket	USB charging socket	Magnifying mirror	Slim depth	Landscape & portrait
Ritual	●	●	●		●	●						
Link	●	●	●		●	●						●
Loop		●	●		●	●				●	●	
Frame		●	●	●		●						●
Thesis												●
Eminence		●	●	●		●						●
Leap		●		●		●		●	●			●



## LIGHTING, MIRRORS & CABINETS BROCHURE

Explore the full Roper Rhodes Lighting Mirrors & Cabinets collection with our dedicated brochure. Ask your local retailer for a copy or visit our website to order or download one [roperrhodes.co.uk/brochures/](http://roperrhodes.co.uk/brochures/)



## CONNECTED BY WIZ

Our connected by WIZ smart mirrors are completely customisable - allowing you to set, schedule and adjust your lighting scheme with ease.



## CHARGING SOLUTIONS

Discover true convenience with our range of charging enabled mirrors. Sleekly designed hidden sockets are perfect for toothbrushes or razors. Our Leap mirror is available with both shaver and USB sockets.

\* **Infrared Sensor:** The position of infrared sensors is indicated on each cabinet with this symbol  
**Important:** When mounting cabinets with infrared sensors, the sensor must be at least 150mm from an adjacent wall or obstruction to ensure the sensor can function properly.



# MIRRORS

10  
YEAR

GUARANTEE  
Against  
manufacturing  
defects



Loop Vanity



Loop Circular 600



Loop Circular 800



LOOP  
VANITY  
MIRROR  
BUNDLE

## LOOP VANITY MIRROR

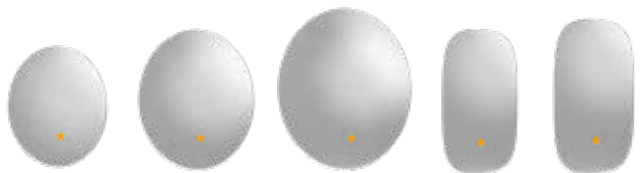


Code	W x H x D mm	Price
VM01	Ø140 x 200	£200.00

## LOOP WALL & VANITY MIRROR



Code	W x H x D mm	Price
VMM60C	Ø600 x 34	£625.00
VMM80C	Ø800 x 34	£740.00



Ritual Circular 600 Ritual Circular 800 Ritual Circular 1000 Ritual 500/800 Ritual 600/900



Link Circular 600 Link Circular 800 Link Pill Link 600/800

## RITUAL

Connected by  
**WIZ**

Code	W x H x D mm	Price
RLM60C	Ø600 x 40	£425.00
RLM80C	Ø800 x 40	£500.00
RLM100C	Ø1000 x 40	£575.00
RLM050	500 x 800 x 40	£450.00
RLM060	600 x 900 x 40	£480.00



Includes Wiz Smart Button

## LINK

Connected by  
**WIZ**

Code	W x H x D mm	Price
LKM60C	Ø600 x 40	£425.00
LKM80C	Ø800 x 40	£500.00
LKM50P	500 x 800 x 40	£450.00
LKM060	600 x 800 x 40	£480.00



Includes Wiz Smart Button

Adding the finishing touches

# MIRRORS

**10**  
YEAR

GUARANTEE  
Against  
manufacturing  
defects

MIRROR  
FRAMES  
AVAILABLE IN  
THREE  
COLOURS



Frame Circular 600    Frame Circular 800    Frame Pill    Frame Oval



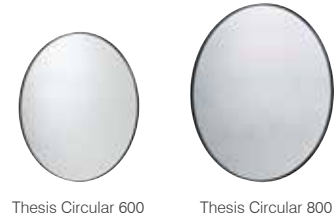
Frame 500/700    Frame 600/800    Frame 1200

## FRAME

Code	W x H x D mm	Price
<b>Brushed Brass Frame</b>		
FR60RB	Ø600 x 38	£418.00
FR80RB	Ø800 x 38	£555.00
FR50VB Oval	500 x 700 x 38	£449.00
<b>Black Frame</b>		
FR60RG	Ø600 x 38	£396.00
FR80RG	Ø800 x 38	£535.00
FR50PG Pill	500 x 800 x 38	£446.00
FR50VG Oval	500 x 700 x 38	£416.00
FR50SG	500 x 700 x 38	£446.00
FR60SG	600 x 800 x 38	£535.00
FR120SG	1200x 600 x 38	£710.00
<b>White Frame</b>		
FR60RW	Ø600 x 38	£396.00
FR80RW	Ø800 x 38	£535.00
FR60SW	600 x 800 x 38	£535.00
FR120SW	1200x 600 x 38	£710.00



MIRROR  
FRAMES  
AVAILABLE IN  
TWO  
COLOURS



Thesis Circular 600    Thesis Circular 800



Thesis Pill    Thesis Oval



Loop Vanity



Thesis 450/700



Thesis 600/800

PLEASE NOTE:  
The Loop bundle is only  
available with the black  
frame, see below for  
pricing details.

## THESIS

Code	W x H x D mm	Price
<b>Brushed Brass Frame</b>		
TNM60C-BR	Ø600 x 38	£150.00
TNM80C-BR	Ø800 x 38	£219.00
TNM50V-BR Pill	500 x 800 x 38	£196.00
<b>Black Frame</b>		
TNM60C	Ø600 x 38	£130.00
TNM80C	Ø800 x 38	£185.00
TNM50P Pill	500 x 800 x 38	£185.00
TNM50V Oval	500 x 700 x 38	£176.00
TNM045	450 x 700 x 38	£140.00
TNM060	600 x 800 x 38	£176.00
<b>Black Frame with Loop Mirror</b>		
TNM60C-VM	Ø600 x 38	£320.00
TNM80C-VM	Ø800 x 38	£392.00
TNM50P-VM Pill	500 x 800 x 38	£375.00
TNM50V-VM Oval	500 x 700 x 38	£365.00
TNM045-VM	450 x 700 x 38	£330.00
TNM060-VM	600 x 800 x 38	£365.00

10  
YEAR

GUARANTEE  
Against  
manufacturing  
defects

# MIRRORS



DUAL  
CHARGING  
OPTIONS



Eminence Circular 550    Eminence Circular 800    Eminence Pill    Eminence Oval



Eminence 500    Eminence 600



Leap 500/700    Leap 600/800    Leap 1200

## EMINENCE

Code	W x H x D mm	Price
EM55CAL	Ø500 x 35	£344.00
EM80CAL	Ø800 x 35	£435.00
EM80PAL Pill	500 x 800 x 35	£453.00
EM650AL Oval	490 x 650 x 35	£386.00
EM70RAL	500 x 700 x 35	£400.00
EM80RAL	600 x 800 x 35	£450.00

## LEAP

Code	W x H x D mm	Price
LE70ALU	500 x 700 x 55	£450.00
LE80ALU	600 x 800 x 55	£500.00
LE120ALU	1200 x 600 x 55	£575.00

Adding the finishing touches

# CABINETS FEATURES & BUYING GUIDE

Use the table below to guide you around our cabinet collection and help you find the features which are important to you when selecting your new cabinet.

	LED lighting	Variable warm to cool & dimmable LEDs	Infrared sensor	Touch controls	Heated demister	Two-pin charging socket	USB charging socket	USB-C charging socket	Wireless charging	Recessible or Recessed	Slim depth	Soft close doors	Push to open doors	Double sided mirror doors
Vault	●	●		●	●	●	●	●		●		●		●
Novella	●	●	●		●	●	●	●				●		●
Notion	●	●	●		●	●	●	●					●	●
Boost	●	●	●		●	●	●	●	●	●	●		●	●
Theory											●	●		●
System	●	●	●		●	●	●					●		●



## LIGHTING, MIRRORS & CABINETS BROCHURE

Explore the full Roper Rhodes Lighting Mirrors & Cabinets collection with our dedicated brochure. Ask your local retailer for a copy or visit our website to order or download one [roperrhodes.co.uk/brochures/](http://roperrhodes.co.uk/brochures/)



## RECESSIBLE DESIGN OPTION

Give your bathroom a modern edge and save space at the same time with one of our stylish recessible cabinets. Opt for the customisable Vault or the on-trend black finish Boost.



## CHARGING SOLUTIONS

Discover true convenience with our range of charging enabled cabinets. Sleekly designed hidden sockets are perfect for tooth brushes or razors. Plus, wireless charging is available in our Boost cabinet, perfect for charging your phone when you're busy getting ready.

\* **Infrared Sensor:** The position of infrared sensors is indicated on each cabinet with this symbol  
**Important:** When mounting cabinets with infrared sensors, the sensor must be at least 150mm from an adjacent wall or obstruction to ensure the sensor can function properly.



# CABINETS

10  
YEAR

GUARANTEE  
Against manufacturing  
defects



SUPPLIED  
WITH VANITY  
MIRROR



Notion 500



Notion 600



Notion 800



Novella 500



Novella 600



Novella 800

## NOTION



Code	W x H x D mm	Price
NTC050	490 x 700 x 120	£710.00
NTC060	590 x 700 x 120	£825.00
NTC080	790 x 700 x 120	£945.00

## NOVELLA



Code	W x H x D mm	Price
NVC050	500 x 700 x 145	£575.00
NVC060	600 x 700 x 145	£745.00
NVC080	800 x 700 x 145	£845.00

CAN BE  
SURFACE  
MOUNTED OR  
RECESSED



Boost 500



Boost 600



Boost 800



CABINET  
AVAILABLE  
IN CHROME  
OR BLACK



System 500



System 600



System 1000



## BOOST



Code	W x H x D mm	Price
BTC050	490 x 800 x 120	£800.00
BTC060	590 x 800 x 120	£945.00
BTC080	790 x 800 x 120	£1,060.00

## SYSTEM

Code Silver frame	Code Black frame	W x H x D mm	Price
SYC050	SYC050-BL	500 x 700 x 140	£730.00
SYC060	SYC060-BL	600 x 700 x 140	£910.00
SYC100	-	1000 x 700 x 140	£1,080.00





GUARANTEE  
Against manufacturing  
defects

# CABINETS

**8**  
COLOUR PANEL  
FINISHES  
AVAILABLE



**VAULT SIDE CABINET PANEL**  
(Can be recessed or surface mounted. No sides required if recessed)  
Code - RRC-CSK.XX

**STEP 1:** Choose your side panel finish

-   
 Matt black  
ALUBLK  
£20.00
-   
 Mirror  
MIR  
£10.00
-   
 Gloss white  
W  
£100.00
-   
 Derwent blue  
DB  
£100.00
-   
 Coniston blue  
CB  
£100.00
-   
 Juniper green  
JNP  
£100.00
-   
 Gloss dark clay  
GDC  
£100.00
-   
 Terra  
TER  
£100.00



**STEP 2:** Choose you cabinet size and finish

VAULT 

Code	W x H x D mm	Price	Code	W x H x D mm	Price	Code	W x H x D mm	Price
Silver Frame			Brushed Brass Frame			Black Frame		
VTC050	500 x 700 x 113	£525.00	VTC050-BR	500 x 700 x 113	£625.00	VTC050-BL	500 x 700 x 113	£625.00
VTC065	600 x 700 x 113	£625.00	VTC065-BR	600 x 700 x 113	£725.00	VTC065-BL	600 x 700 x 113	£725.00
VTC080	800 x 700 x 113	£725.00	VTC080-BR	800 x 700 x 113	£825.00	VTC080-BL	800 x 700 x 113	£825.00
VTC100	1000 x 700 x 113	£825.00	VTC100-BR	1000 x 700 x 113	£925.00	VTC100-BL	1000 x 700 x 113	£925.00



**THEORY**

Code	W x H x D mm	Price
TYC045	450 x 700 x 120	£369.00
TYC060	600 x 700 x 120	£426.00



Adding the finishing touches

## COMPLETE LIGHTING SOLUTION



GUARANTEE  
For manufacturing  
defects

Our lights can be used conventionally or can be connected by WiZ allowing all lights to work seamlessly together and be personalised to your routines and preferences. All our lighting is IP44 rated for safe use in the bathroom.

### FLUTED LIGHTING CONNECTED BY WIZ



Connected by  
**WiZ**

- Connected by WiZ to link to your smart home
- IP44 rated
- Wall mounted and ceiling pendant variations
- Black and brass fluted texture finishes available
- Pendant lights cable length 3m
- GU10 Max 5 W
- Includes WiZ GU10 Smart Bulb  
(1 x pendants and 2 x for wall lights)

Wall Lights	Code	W x H x D	Price
Black	WL02-BL-WIZ	100 x 202 x 92	£175.00
Brushed Brass	WL02-BR-WIZ	100 x 202 x 92	£185.00

Pendant Lights			
Black	PL02-BL-WIZ	55 x 250 x 55	£115.00
Brushed Brass	PL02-BR-WIZ	55 x 250 x 55	£125.00

### CONVENTIONAL FLUTED LIGHTING



LIGHTING VIDEO  
Scan to explore  
fluted lighting

- IP44 rated
- Wall mounted and ceiling pendant variations
- Black and brass fluted texture finishes available
- Pendant lights cable length 3m
- Recommended Bulb - GU10 Max 5W  
(bulb not included)

Wall Lights	Code	W x H x D	Price
Black	WL02-BL	100 x 202 x 92	£130.00
Brushed Brass	WL02-BR	100 x 202 x 92	£140.00

Pendant Lights			
Black	PL02-BL	55 x 250 x 55	£90.00
Brushed Brass	PL02-BR	55 x 250 x 55	£100.00



\* **WiZ Smart Button** (optional)      **£37.99**  
929003501322

Battery operated device enables direct control of your lighting scheme, without going through the app. The smart button can be easily affixed to your wall, without screws, in a place convenient to you.



## GLOBE LIGHTING CONNECTED BY WIZ



Connected by  
**WIZ**

- Connected by WiZ to link to your smart home
- IP44 rated
- Wall mounted and ceiling pendant variations
- Black and brass finishes available
- Glass globe in opal white finish
- Pendant lights cable length 3m
- E14 Max 25W
- Includes Smart WiZ 40W P45 E14 Bulb

Wall Lights	Code	W x H x D	Price
Black	WL01-BL-W-WIZ	150 x 150 x 193	<b>£225.00</b>
Brushed Brass	WL01-BR-W-WIZ	150 x 150 x 193	<b>£235.00</b>
Pendant Lights			
Black	PL01-BL-W-WIZ	150 x 202 x 150	<b>£165.00</b>
Brushed Brass	PL01-BR-W-WIZ	150 x 202 x 150	<b>£175.00</b>



\* **WiZ Smart Button** (optional) **£37.99**  
929003501322

Battery operated device enables direct control of your lighting scheme, without going through the app. The smart button can be easily affixed to your wall, without screws, in a place convenient to you.

## CONVENTIONAL GLOBE LIGHTING



LIGHTING VIDEO  
Scan to explore  
globe lighting

- IP44 rated
- Wall mounted and ceiling pendant variations
- Black and brass finishes available
- Glass globe in opal White finish
- Pendant lights cable length 3m
- Recommended Bulb - E14 P45 Max. 25W (Bulb not included)

Wall Lights	Code	W x H x D	Price
Black	WL01-BL-W	150 x 150 x 193	<b>£200.00</b>
Brushed Brass	WL01-BR-W	150 x 150 x 193	<b>£210.00</b>
Pendant Lights			
Black	PL01-BL-W	150 x 202 x 150	<b>£135.00</b>
Brushed Brass	PL01-BR-W	150 x 202 x 150	<b>£145.00</b>

# LIGHTING & CHARGING SOLUTIONS

## DOWN LIGHTS

Connected by  
**WIZ**



- Connected by WIZ to link to your smart home
- IP65 - suitable for use in showering spaces
- Matt white finish
- Semi recessed design for glare control
- Connected by WIZ version includes WIZ GU10 Smart Bulb
- Conventional version bulb not included - recommended Bulb - GU10 Max 5W

Down light Connected by WIZ	Code	W x H x Dmm (inc bracket)	
Single	DL01-W-WIZ	85 x 135 x 85	£42.50
2 Pack	DL01-W-WIZ-2	85 x 135 x 85	£82.50
3 Pack	DL01-W-WIZ-3	85 x 135 x 85	£112.50
4 Pack	DL01-W-WIZ-4	85 x 135 x 85	£161.50

Conventional Down light	Code	W x H x Dmm (inc bracket)	
Single	DL01-W	85 x 135 x 85	£20.00
2 Pack	DL01-W-2	85 x 135 x 85	£37.50
3 Pack	DL01-W-3	85 x 135 x 85	£55.00
4 Pack	DL01-W-4	85 x 135 x 85	£71.50



\* **WIZ Smart Button** (optional)  
929003501322      **£37.99**

## STRIP LIGHTS



Connected by  
**WIZ**

- Connected by WIZ to link to your smart home
- IP65 rated
- Driver box included
- Suitable for use under wall hung furniture, in nooks and behind baths to create ambient lighting

Strip Light Connected by WIZ	Code	Dimensions	
LED STRIP IP65	WIZLEDKIT-450	450mm	£145.00
LED STRIP IP65	WIZLEDKIT-750	750mm	£150.00



\* **WIZ Smart Button** (optional)  
929003501322      **£37.99**

\* Battery operated device enables direct control of your lighting scheme, without going through the app. The smart button can be easily affixed to your wall, without screws, in a place convenient to you.

## CHARGING STATION

Add further functionality to your new Roper Rhodes fitted furniture by adding our charging station. The subtle little unit can be installed into our floor cupboards or wall cabinets and includes both a two-pin charging socket and a USB port to keep all your electricals fully charged.

- Designed for use within fitted furniture cupboards and wall cabinets
- Includes a two-pin charging point with rocker switch
- Includes a USB charging socket
- Supplied in a modern matt black finish
- Designed with cover to hide sockets when not in use
- Screwless mounting
- Requires a mains connection (supplied with one metre flying lead)
- Not recommended for installations in semi-countertop units or drawers
- IP44



	Code	RRP
Charging station	DC6001	£150.00



**ADD**  
A CHARGING  
STATION TO YOUR  
FURNITURE RUN

# SAFETY ZONES & ELECTRICAL INFORMATION

## ZONES FOR EQUIPMENT IN CLOSE PROXIMITY TO BATHS & SHOWERS



Roper Rhodes illuminated mirror and aluminum cabinets have been independently tested for compliance with electrical equipment safety regulations. Products shown with IP44 or IP55 ratings and are suitable for use in zone 2 and outside zones in the bathroom



- ZONE 1** Electrical fittings in this zone require a separated extra low voltage and a minimum rating of IP65 (splash-proof)
- ZONE 2** Electrical fittings in this zone require a minimum rating of IP44 (spalsh-proof)
- OUTSIDE ZONES** Electrical fittings in this zone require a minimum rating of IP20



# TECHNICAL INFORMATION

---





*Plan your bathroom ...*

## YOUR PLANNING & ORDERING GUIDE

Now that you have explored the furniture ranges on offer, let us take you through a step by step guide of how to design and create your new fitted furniture bathroom.

### SELECT YOUR LOOK



ELAN



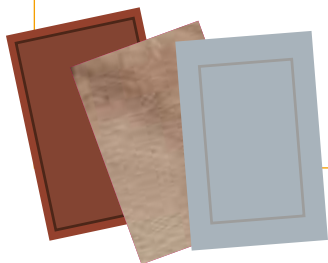
BURFORD



ARUBA

The most important choice when determining the look of your bathroom is door style and finish.

We have three furniture styles to choose from; from the elegant looking Elan, the timeless looking Burford or the pared-back modern style of Aruba.



We also offer a free colour swatch service. See page 153 for details.



SLIM DEPTH



STANDARD DEPTH

### CHOOSE YOUR DEPTH OF UNIT

Assess the available space in your bathroom and choose from either standard depth (353mm) or space-saving slim depth (218mm) units. Consider which combination of units work for the space of your bathroom.



### HANDLE OPTIONS

Add the perfect finishing touch to your doors with one of our range of handles. Choose from chrome, brass, matt black, bronze or colour matched options. See pages 86-87 for our full range.

## CHOOSE YOUR WORKTOP



LAMINATE

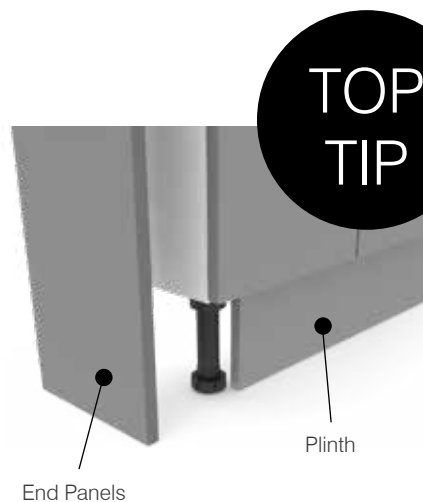


SOLID SURFACE



INTEGRATED BASIN & WORKTOP

Select a worktop from either our Strata solid surface or laminate options. Alternatively opt for either the solid surface City underslung basin or Motif semi-recessed basin. Both have an integrated worktop for a seamless look which works equally well with both contemporary and classic bathroom designs. See pages 142-143 for further details.



TOP TIP

## THE PERFECT FIT

Whether you prefer wall-hung or floor-mounted cabinetry, our fitted furniture adapts to your style. Conceal leg supports by choosing colour matched plinths for floorstanding units and create a seamless, framed look with end panels or design panels.

**Tip:** Save on materials and costs - when using end panels between units - by cutting panels in half.

Finally, choose your bath panel to keep everything coordinated. See page 141.

## BASIN & WCs



Choose your preferred basin and WC to match the styling of your bathroom, in addition to a cistern and frame (if required). Complete the look by selecting from our range of flush plate options on page 102-103.

## TAPS



Top your basin with our expert-engineered and stylish basin mixers. See pages 106-107 for our full range of options.

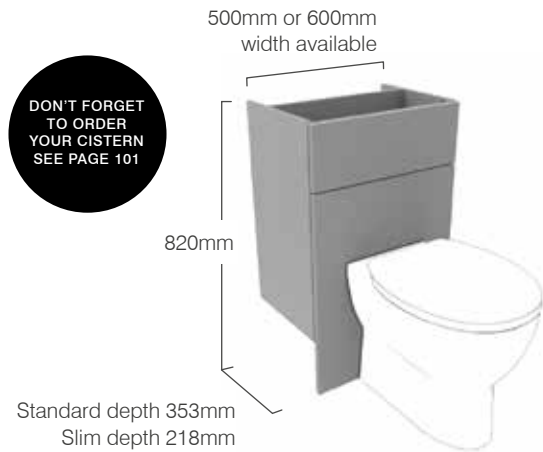
## MIRRORS & CABINETS



Choose your preferred mirror or cabinet from pages 108-117.



# 500 & 600MM BACK TO WALL WC UNITS



## 500 & 600MM STANDARD / SLIM DEPTH BACK TO WALL WC WITH FASCIA DOOR PACK

### FEATURES

- Fascia to be cut on site to suit sanitaryware.
- Main panel goes to floor.
- Front access top fascia.
- For compatible back to wall WCs see page 98.

\* These fascia packs are designed to be used with comfort height WC pans & cisterns, so exclude the Burford moulding.

500mm Unit Finish	353mm Standard Depth	218mm Slim Depth
----------------------	-------------------------	---------------------

BURFORD STANDARD WC		
Juniper Green	DF3BW5.JNP. <b>XX</b>	DF2BW5.JNP. <b>XX</b>
Coniston Blue	DF3BW5.CB. <b>XX</b>	DF2BW5.CB. <b>XX</b>
Derwent Blue	DF3BW5.DB. <b>XX</b>	DF2BW5.DB. <b>XX</b>
Chalk White	DF3BW5.CW. <b>XX</b>	DF2BW5.CW. <b>XX</b>
Mocha	DF3BW5.MC. <b>XX</b>	DF2BW5.MC. <b>XX</b>
Pebble Grey	DF3BW5.PG. <b>XX</b>	DF2BW5.PG. <b>XX</b>
Slate Grey	DF3BW5.SG. <b>XX</b>	DF2BW5.SG. <b>XX</b>
Black	DF3BW5.BLK. <b>XX</b>	DF2BW5.BLK. <b>XX</b>
Terra	DF3BW5.TER. <b>XX</b>	DF2BW5.TER. <b>XX</b>
Dusk Blue	DF3BW5.DSK. <b>XX</b>	DF2BW5.DSK. <b>XX</b>
Sage Green	DF3BW5.SGN. <b>XX</b>	DF2BW5.SGN. <b>XX</b>
Manor Green	DF3BW5.MGN. <b>XX</b>	DF2BW5.MGN. <b>XX</b>

BURFORD COMFORT HEIGHT WC		
Juniper Green *	AF3BW5.JNP. <b>XX</b>	AF2BW5.JNP. <b>XX</b>
Coniston Blue *	AF3BW5.CB. <b>XX</b>	AF2BW5.CB. <b>XX</b>
Derwent Blue *	AF3BW5.DB. <b>XX</b>	AF2BW5.DB. <b>XX</b>
Chalk White *	AF3BW5.CW. <b>XX</b>	AF2BW5.CW. <b>XX</b>
Mocha *	AF3BW5.MC. <b>XX</b>	AF2BW5.MC. <b>XX</b>
Pebble Grey *	AF3BW5.PG. <b>XX</b>	AF2BW5.PG. <b>XX</b>
Slate Grey *	AF3BW5.SG. <b>XX</b>	AF2BW5.SG. <b>XX</b>
Black *	AF3BW5.BLK. <b>XX</b>	AF2BW5.BLK. <b>XX</b>
Terra *	AF3BW5.TER. <b>XX</b>	AF2BW5.TER. <b>XX</b>
Dusk Blue *	AF3BW5.DSK. <b>XX</b>	AF2BW5.DSK. <b>XX</b>
Sage Green *	AF3BW5.SGN. <b>XX</b>	AF2BW5.SGN. <b>XX</b>
Manor Green *	AF3BW5.MGN. <b>XX</b>	AF2BW5.MGN. <b>XX</b>

ARUBA		
Juniper Green	AF3BW5.JNP. <b>XX</b>	AF2BW5.JNP. <b>XX</b>
Powder Grey	AF2BW5.POW. <b>XX</b>	AF2BW5.POW. <b>XX</b>
Mussel	AF3BW5.MSL. <b>XX</b>	AF2BW5.MSL. <b>XX</b>
Derwent Blue	AF3BW5.DB. <b>XX</b>	AF2BW5.DB. <b>XX</b>
Gloss Dark Clay	AF3BW5.GDC. <b>XX</b>	AF2BW5.GDC. <b>XX</b>
Oxford Oak	AF3BW5.OXO. <b>XX</b>	AF2BW5.OXO. <b>XX</b>
Coniston Blue	AF3BW5.CB. <b>XX</b>	AF2BW5.CB. <b>XX</b>
Terra	AF3BW5.TER. <b>XX</b>	AF2BW5.TER. <b>XX</b>
White	AF3BW5.W. <b>XX</b>	AF2BW5.W. <b>XX</b>

ELAN		
Black	EF3BW5.BLK. <b>XX</b>	EF2BW5.BLK. <b>XX</b>
Terra	EF3BW5.TER. <b>XX</b>	EF2BW5.TER. <b>XX</b>
Powder Grey	EF3BW5.POW. <b>XX</b>	EF2BW5.POW. <b>XX</b>
Juniper Green	EF3BW5.JNP. <b>XX</b>	EF2BW5.JNP. <b>XX</b>
Coniston Blue	EF3BW5.CB. <b>XX</b>	EF2BW5.CB. <b>XX</b>

**£558.00** each      **£533.00** each

Replace **.XX** with the required carcass colour below



**END PANELS REQUIRED**  
Exposed carcass sides are covered by using colour matched end panels which will be required to complete your fitted furniture run. See pages 136-139 for panel options.

600mm Unit Finish	353mm Standard Depth	218mm Slim Depth
----------------------	-------------------------	---------------------

BURFORD STANDARD WC		
Juniper Green	DF3BW6.JNP. <b>XX</b>	DF2BW6.JNP. <b>XX</b>
Coniston Blue	DF3BW6.CB. <b>XX</b>	DF2BW6.CB. <b>XX</b>
Derwent Blue	DF3BW6.DB. <b>XX</b>	DF2BW6.DB. <b>XX</b>
Chalk White	DF3BW6.CW. <b>XX</b>	DF2BW6.CW. <b>XX</b>
Mocha	DF3BW6.MC. <b>XX</b>	DF2BW6.MC. <b>XX</b>
Pebble Grey	DF3BW6.PG. <b>XX</b>	DF2BW6.PG. <b>XX</b>
Slate Grey	DF3BW6.SG. <b>XX</b>	DF2BW6.SG. <b>XX</b>
Black	DF3BW6.BLK. <b>XX</b>	DF2BW6.BLK. <b>XX</b>
Terra	DF3BW6.TER. <b>XX</b>	DF2BW6.TER. <b>XX</b>
Dusk Blue	DF3BW6.DSK. <b>XX</b>	DF2BW6.DSK. <b>XX</b>
Sage Green	DF3BW6.SGN. <b>XX</b>	DF2BW6.SGN. <b>XX</b>
Manor Green	DF3BW6.MGN. <b>XX</b>	DF2BW6.MGN. <b>XX</b>

BURFORD COMFORT HEIGHT WC		
Juniper Green *	AF3BW6.JNP. <b>XX</b>	AF2BW6.JNP. <b>XX</b>
Coniston Blue *	AF3BW6.CB. <b>XX</b>	AF2BW6.CB. <b>XX</b>
Derwent Blue *	AF3BW6.DB. <b>XX</b>	AF2BW6.DB. <b>XX</b>
Chalk White *	AF3BW6.CW. <b>XX</b>	AF2BW6.CW. <b>XX</b>
Mocha *	AF3BW6.MC. <b>XX</b>	AF2BW6.MC. <b>XX</b>
Pebble Grey *	AF3BW6.PG. <b>XX</b>	AF2BW6.PG. <b>XX</b>
Slate Grey *	AF3BW6.SG. <b>XX</b>	AF2BW6.SG. <b>XX</b>
Black *	AF3BW6.BLK. <b>XX</b>	AF2BW6.BLK. <b>XX</b>
Terra *	AF3BW6.TER. <b>XX</b>	AF2BW6.TER. <b>XX</b>
Dusk Blue *	AF3BW6.DSK. <b>XX</b>	AF2BW6.DSK. <b>XX</b>
Sage Green *	AF3BW6.SGN. <b>XX</b>	AF2BW6.SGN. <b>XX</b>
Manor Green *	AF3BW6.MGN. <b>XX</b>	AF2BW6.MGN. <b>XX</b>

ARUBA		
Juniper Green	AF3BW6.JNP. <b>XX</b>	AF2BW6.JNP. <b>XX</b>
Powder Grey	AF3BW6.POW. <b>XX</b>	AF2BW6.POW. <b>XX</b>
Mussel	AF3BW6.MSL. <b>XX</b>	AF2BW6.MSL. <b>XX</b>
Derwent Blue	AF3BW6.DB. <b>XX</b>	AF2BW6.DB. <b>XX</b>
Gloss Dark Clay	AF3BW6.GDC. <b>XX</b>	AF2BW6.GDC. <b>XX</b>
Oxford Oak	AF3BW6.OXO. <b>XX</b>	AF2BW6.OXO. <b>XX</b>
Coniston Blue	AF3BW6.CB. <b>XX</b>	AF2BW6.CB. <b>XX</b>
Terra	AF3BW6.TER. <b>XX</b>	AF2BW6.TER. <b>XX</b>
White	AF3BW6.W. <b>XX</b>	AF2BW6.W. <b>XX</b>

ELAN		
Black	EF3BW6.BLK. <b>XX</b>	EF2BW6.BLK. <b>XX</b>
Terra	EF3BW6.TER. <b>XX</b>	EF2BW6.TER. <b>XX</b>
Powder Grey	EF3BW6.POW. <b>XX</b>	EF2BW6.POW. <b>XX</b>
Juniper Green	EF3BW6.JNP. <b>XX</b>	EF2BW6.JNP. <b>XX</b>
Coniston Blue	EF3BW6.CB. <b>XX</b>	EF2BW6.CB. <b>XX</b>

**£558.00** each      **£533.00** each

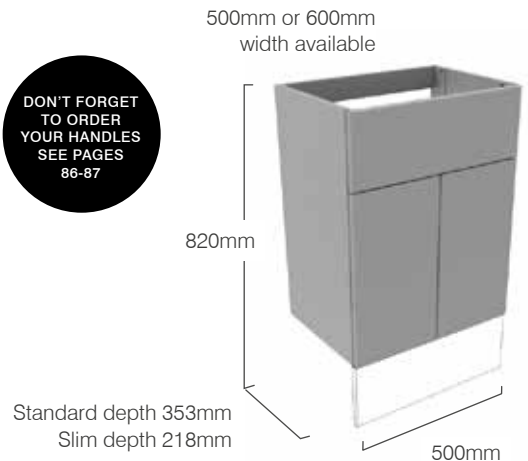
Replace **.XX** with the required carcass colour below



**PLINTH REQUIRED**  
Most freestanding units require a colour matched plinth to be installed to cover any pipework underneath the units. See pages 140 for plinth options.



# 500 & 600MM BASIN UNITS



**DON'T FORGET TO ORDER YOUR HANDLES SEE PAGES 86-87**

## 500 & 600MM STANDARD / SLIM DEPTH BASIN UNIT WITH FASCIA DOOR PACK

### FEATURES

- Fascia to be cut on site to suit sanitaryware.
- One adjustable shelf.
- Soft close hinges.
- Removable back panel.
- For compatible basins see page 93.
- A plinth is required for this unit - see page 140.

500mm Unit Finish	353mm Standard Depth	218mm Slim Depth
----------------------	-------------------------	---------------------

BURFORD STANDARD WC		
Juniper Green	DF3SC5.JNP. <b>XX</b>	DF2SC5.JNP. <b>XX</b>
Coniston Blue	DF3SC5.CB. <b>XX</b>	DF2SC5.CB. <b>XX</b>
Derwent Blue	DF3SC5.DB. <b>XX</b>	DF2SC5.DB. <b>XX</b>
Chalk White	DF3SC5.CW. <b>XX</b>	DF2SC5.CW. <b>XX</b>
Mocha	DF3SC5.MC. <b>XX</b>	DF2SC5.MC. <b>XX</b>
Pebble Grey	DF3SC5.PG. <b>XX</b>	DF2SC5.PG. <b>XX</b>
Slate Grey	DF3SC5.SG. <b>XX</b>	DF2SC5.SG. <b>XX</b>
Black	DF3SC5.BLK. <b>XX</b>	DF2SC5.BLK. <b>XX</b>
Terra	DF3SC5.TER. <b>XX</b>	DF2SC5.TER. <b>XX</b>
Dusk Blue	DF3SC5.DSK. <b>XX</b>	DF2SC5.DSK. <b>XX</b>
Sage Green	DF3SC5.SGN. <b>XX</b>	DF2SC5.SGN. <b>XX</b>
Manor Green	DF3SC5.MGN. <b>XX</b>	DF2SC5.MGN. <b>XX</b>

ARUBA		
Juniper Green	AF3SC5.JNP. <b>XX</b>	AF2SC5.JNP. <b>XX</b>
Powder Grey	AF3SC5.POW. <b>XX</b>	AF2SC5.POW. <b>XX</b>
Mussel	AF3SC5.MSL. <b>XX</b>	AF2SC5.MSL. <b>XX</b>
Derwent Blue	AF3SC5.DB. <b>XX</b>	AF2SC5.DB. <b>XX</b>
Gloss Dark Clay	AF3SC5.GDC. <b>XX</b>	AF2SC5.GDC. <b>XX</b>
Oxford Oak	AF3SC5.OXO. <b>XX</b>	AF2SC5.OXO. <b>XX</b>
Coniston Blue	AF3SC5.CB. <b>XX</b>	AF2SC5.CB. <b>XX</b>
Terra	AF3SC5.TER. <b>XX</b>	AF2SC5.TER. <b>XX</b>
White	AF3SC5.W. <b>XX</b>	AF2SC5.W. <b>XX</b>

ELAN		
Black	EF3SC5.BLK. <b>XX</b>	EF2SC5.BLK. <b>XX</b>
Terra	EF3SC5.TER. <b>XX</b>	EF2SC5.TER. <b>XX</b>
Powder Grey	EF3SC5.POW. <b>XX</b>	EF2SC5.POW. <b>XX</b>
Juniper Green	EF3SC5.JNP. <b>XX</b>	EF2SC5.JNP. <b>XX</b>
Coniston Blue	EF3SC5.CB. <b>XX</b>	EF2SC5.CB. <b>XX</b>

**£536.50** each      **£528.50** each

Replace **.XX** with the required carcass colour below



600mm Unit Finish	353mm Standard Depth	218mm Slim Depth
----------------------	-------------------------	---------------------

BURFORD STANDARD WC		
Juniper Green	DF3SC6.JNP. <b>XX</b>	DF2SC6.JNP. <b>XX</b>
Coniston Blue	DF3SC6.CB. <b>XX</b>	DF2SC6.CB. <b>XX</b>
Derwent Blue	DF3SC6.DB. <b>XX</b>	DF2SC6.DB. <b>XX</b>
Chalk White	DF3SC6.CW. <b>XX</b>	DF2SC6.CW. <b>XX</b>
Mocha	DF3SC6.MC. <b>XX</b>	DF2SC6.MC. <b>XX</b>
Pebble Grey	DF3SC6.PG. <b>XX</b>	DF2SC6.PG. <b>XX</b>
Slate Grey	DF3SC6.SG. <b>XX</b>	DF2SC6.SG. <b>XX</b>
Black	DF3SC6.BLK. <b>XX</b>	DF2SC6.BLK. <b>XX</b>
Terra	DF3SC6.TER. <b>XX</b>	DF2SC6.TER. <b>XX</b>
Dusk Blue	DF3SC6.DSK. <b>XX</b>	DF2SC6.DSK. <b>XX</b>
Sage Green	DF3SC6.SGN. <b>XX</b>	DF2SC6.SGN. <b>XX</b>
Manor Green	DF3SC6.MGN. <b>XX</b>	DF2SC6.MGN. <b>XX</b>

ARUBA		
Juniper Green	AF3SC6.JNP. <b>XX</b>	AF2SC6.JNP. <b>XX</b>
Powder Grey	AF3SC6.POW. <b>XX</b>	AF2SC6.POW. <b>XX</b>
Mussel	AF3SC6.MSL. <b>XX</b>	AF2SC6.MSL. <b>XX</b>
Derwent Blue	AF3SC6.DB. <b>XX</b>	AF2SC6.DB. <b>XX</b>
Gloss Dark Clay	AF3SC6.GDC. <b>XX</b>	AF2SC6.GDC. <b>XX</b>
Oxford Oak	AF3SC6.OXO. <b>XX</b>	AF2SC6.OXO. <b>XX</b>
Coniston Blue	AF3SC6.CB. <b>XX</b>	AF2SC6.CB. <b>XX</b>
Terra	AF3SC6.TER. <b>XX</b>	AF2SC6.TER. <b>XX</b>
White	AF3SC6.W. <b>XX</b>	AF2SC6.W. <b>XX</b>

ELAN		
Black	EF3SC6.BLK. <b>XX</b>	EF2SC6.BLK. <b>XX</b>
Terra	EF3SC6.TER. <b>XX</b>	EF2SC6.TER. <b>XX</b>
Powder Grey	EF3SC6.POW. <b>XX</b>	EF2SC6.POW. <b>XX</b>
Juniper Green	EF3SC6.JNP. <b>XX</b>	EF2SC6.JNP. <b>XX</b>
Coniston Blue	EF3SC6.CB. <b>XX</b>	EF2SC6.CB. <b>XX</b>

**£536.50** each      **£528.50** each

Replace **.XX** with the required carcass colour below



**END PANELS REQUIRED**

Exposed carcass sides are covered by using colour matched end panels which will be required to complete your fitted furniture run. See pages 136-139 for panel options.

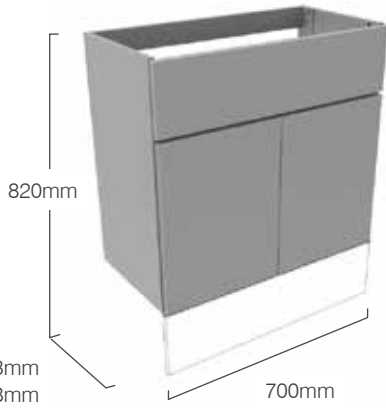
**PLINTH REQUIRED**

Most freestanding units require a colour matched plinth to be installed to cover any pipework underneath the units. See pages 140 for plinth options.

# 700MM BASIN UNITS

# 300MM FULL HEIGHT CUPBOARD UNITS

DON'T FORGET TO ORDER YOUR HANDLES SEE PAGES 86-87

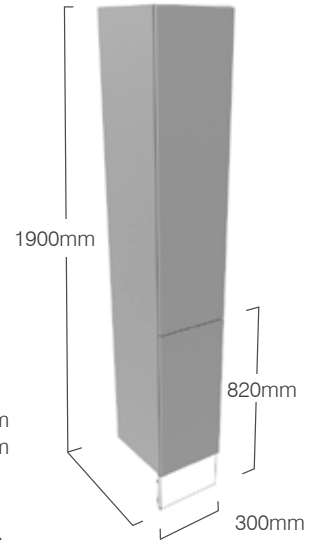


Standard depth 353mm  
Slim depth 218mm

### FEATURES

- Fascia to be cut on site to suit sanitaryware.
- One adjustable shelf.
- Soft close hinges.
- Removable back panel.
- For compatible basins see page 93.
- A plinth is required for this unit - see page 140.

DON'T FORGET TO ORDER YOUR HANDLES SEE PAGES 86-87



Standard depth 353mm  
Slim depth 218mm

### FEATURES

- Soft close hinges.
- Two adjustable glass shelves in top section.
- One wooden adjustable shelf in base.
- A plinth is required for this unit - see pages 140.

700mm Unit Finish	353mm Standard Depth	218mm Slim Depth
----------------------	-------------------------	---------------------

BURFORD		
Juniper Green	DF3SC7.JNP. <b>XX</b>	DF2SC7.JNP. <b>XX</b>
Coniston Blue	DF3SC7.CB. <b>XX</b>	DF2SC7.CB. <b>XX</b>
Derwent Blue	DF3SC7.DB. <b>XX</b>	DF2SC7.DB. <b>XX</b>
Chalk White	DF3SC7.CW. <b>XX</b>	DF2SC7.CW. <b>XX</b>
Mocha	DF3SC7.MC. <b>XX</b>	DF2SC7.MC. <b>XX</b>
Pebble Grey	DF3SC7.PG. <b>XX</b>	DF2SC7.PG. <b>XX</b>
Slate Grey	DF3SC7.SG. <b>XX</b>	DF2SC7.SG. <b>XX</b>
Black	DF3SC7.BLK. <b>XX</b>	DF2SC7.BLK. <b>XX</b>
Terra	DF3SC7.TER. <b>XX</b>	DF2SC7.TER. <b>XX</b>
Dusk Blue	DF3SC7.DSK. <b>XX</b>	DF2SC7.DSK. <b>XX</b>
Sage Green	DF3SC7.SGN. <b>XX</b>	DF2SC7.SGN. <b>XX</b>
Manor Green	DF3SC7.MGN. <b>XX</b>	DF2SC7.MGN. <b>XX</b>

ARUBA		
Juniper Green	AF3SC7.JNP. <b>XX</b>	AF2SC7.JNP. <b>XX</b>
Powder Grey	AF3SC7.POW. <b>XX</b>	AF2SC7.POW. <b>XX</b>
Mussel	AF3SC7.MSL. <b>XX</b>	AF2SC7.MSL. <b>XX</b>
Derwent Blue	AF3SC7.DB. <b>XX</b>	AF2SC7.DB. <b>XX</b>
Gloss Dark Clay	AF3SC7.GDC. <b>XX</b>	AF2SC7.GDC. <b>XX</b>
Oxford Oak	AF3SC7.OXO. <b>XX</b>	AF2SC7.OXO. <b>XX</b>
Coniston Blue	AF3SC7.CB. <b>XX</b>	AF2SC7.CB. <b>XX</b>
Terra	AF3SC7.TER. <b>XX</b>	AF2SC7.TER. <b>XX</b>
White	AF3SC7.W. <b>XX</b>	AF2SC7.W. <b>XX</b>

ELAN		
Black	EF3SC7.BLK. <b>XX</b>	EF2SC7.BLK. <b>XX</b>
Terra	EF3SC7.TER. <b>XX</b>	EF2SC7.TER. <b>XX</b>
Powder Grey	EF3SC7.POW. <b>XX</b>	EF2SC7.POW. <b>XX</b>
Juniper Green	EF3SC7.JNP. <b>XX</b>	EF2SC7.JNP. <b>XX</b>
Coniston Blue	EF3SC7.CB. <b>XX</b>	EF2SC7.CB. <b>XX</b>

£641.50 each

£619.50 each

Replace **.XX** with the required carcass colour below



300mm Unit Finish	353mm Standard Depth	218mm Slim Depth
----------------------	-------------------------	---------------------

BURFORD		
Juniper Green	DF3FHU3.JNP. <b>XX</b>	DF2FHU3.JNP. <b>XX</b>
Coniston Blue	DF3FHU3.CB. <b>XX</b>	DF2FHU3.CB. <b>XX</b>
Derwent Blue	DF3FHU3.DB. <b>XX</b>	DF2FHU3.DB. <b>XX</b>
Chalk White	DF3FHU3.CW. <b>XX</b>	DF2FHU3.CW. <b>XX</b>
Mocha	DF3FHU3.MC. <b>XX</b>	DF2FHU3.MC. <b>XX</b>
Pebble Grey	DF3FHU3.PG. <b>XX</b>	DF2FHU3.PG. <b>XX</b>
Slate Grey	DF3FHU3.SG. <b>XX</b>	AF2FHU3.SG. <b>XX</b>
Black	DF3FHU3.BLK. <b>XX</b>	DF2FHU3.BLK. <b>XX</b>
Terra	DF3FHU3.TER. <b>XX</b>	DF2FHU3.TER. <b>XX</b>
Dusk Blue	DF3FHU3.DSK. <b>XX</b>	DF2FHU3.DSK. <b>XX</b>
Sage Green	DF3FHU3.SGN. <b>XX</b>	DF2FHU3.SGN. <b>XX</b>
Manor Green	DF3FHU3.MGN. <b>XX</b>	DF2FHU3.MGN. <b>XX</b>

ARUBA		
Juniper Green	AF3FHU3.JNP. <b>XX</b>	AF2FHU3.JNP. <b>XX</b>
Powder Grey	AF3FHU3.POW. <b>XX</b>	AF2FHU3.POW. <b>XX</b>
Mussel	AF3FHU3.MSL. <b>XX</b>	AF2FHU3.MSL. <b>XX</b>
Derwent Blue	AF3FHU3.DB. <b>XX</b>	AF2FHU3.DB. <b>XX</b>
Gloss Dark Clay	AF3FHU3.GDC. <b>XX</b>	AF2FHU3.GDC. <b>XX</b>
Oxford Oak	AF3FHU3.OXO. <b>XX</b>	AF2FHU3.OXO. <b>XX</b>
Coniston Blue	AF3FHU3.CB. <b>XX</b>	AF2FHU3.CB. <b>XX</b>
Terra	AF3FHU3.TER. <b>XX</b>	AF2FHU3.TER. <b>XX</b>
White	AF3FHU3.W. <b>XX</b>	AF2FHU3.W. <b>XX</b>

ELAN		
Black	EF3FHU3.BLK. <b>XX</b>	EF2FHU3.BLK. <b>XX</b>
Terra	EF3FHU3.TER. <b>XX</b>	EF2FHU3.TER. <b>XX</b>
Powder Grey	EF3FHU3.POW. <b>XX</b>	EF2FHU3.POW. <b>XX</b>
Juniper Green	EF3FHU3.JNP. <b>XX</b>	EF2FHU3.JNP. <b>XX</b>
Coniston Blue	EF3FHU3.CB. <b>XX</b>	EF2FHU3.CB. <b>XX</b>

£718.50 each

£665.50 each

Replace **.XX** with the required carcass colour below



END PANELS REQUIRED

Exposed carcass sides are covered by using colour matched end panels which will be required to complete your fitted furniture run. See pages 136-139 for panel options.

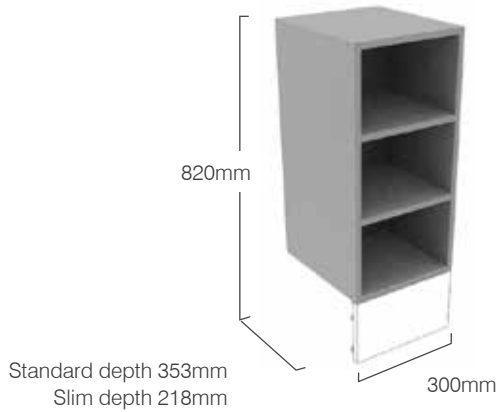
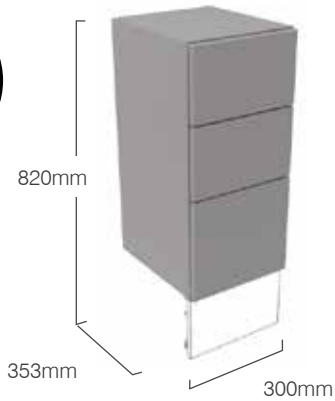
PLINTH REQUIRED

Most freestanding units require a colour matched plinth to be installed to cover any pipework underneath the units. See pages 140 for plinth options.

# 300MM TRIPLE DRAWER UNITS

# 300MM SHELF STORAGE UNIT

**DON'T FORGET TO ORDER YOUR HANDLES SEE PAGES 86-87**



### FEATURES

- Soft close drawers.
- Fascias easily aligned.
- A plinth is required for this unit - see page 140.

### FEATURES

- Can be cut down to suit odd size spaces in furniture run.
- Supplied for self assembly.
- A plinth is required for this unit - see page 140.

\* These products have plain fronted fascia packs.

300mm Unit Finish	353mm Standard Depth
<b>BURFORD</b>	
Juniper Green *	DF33DR.JNP. <b>XX</b>
Coniston Blue *	DF33DR.CB. <b>XX</b>
Derwent Blue *	DF33DR.DB. <b>XX</b>
Chalk White *	DF33DR.CW. <b>XX</b>
Mocha *	DF33DR.MC. <b>XX</b>
Pebble Grey *	DF33DR.PG. <b>XX</b>
Slate Grey *	DF33DR.SG. <b>XX</b>
Black *	DF33DR.BLK. <b>XX</b>
Terra *	DF33DR.TER. <b>XX</b>
Dusk Blue *	DF33DR.DSK. <b>XX</b>
Sage Green *	DF33DR.SGN. <b>XX</b>
Manor Green *	DF33DR.MGN. <b>XX</b>

<b>ARUBA</b>	
Juniper Green	AF33DR.JNP. <b>XX</b>
Powder Grey	AF33DR.POW. <b>XX</b>
Mussel	AF33DR.MSL. <b>XX</b>
Derwent Blue	AF33DR.DB. <b>XX</b>
Gloss Dark Clay	AF33DR.GDC. <b>XX</b>
Oxford Oak	AF33DR.OXO. <b>XX</b>
Coniston Blue	AF33DR.CB. <b>XX</b>
Terra	AF33DR.TER. <b>XX</b>
White	AF33DR.W. <b>XX</b>

<b>ELAN</b>	
Black	EF33DR.BLK. <b>XX</b>
Terra	EF33DR.TER. <b>XX</b>
Powder Grey	EF33DR.POW. <b>XX</b>
Juniper Green	EF33DR.JNP. <b>XX</b>
Coniston Blue	EF33DR.CB. <b>XX</b>

**£681.60** each

Replace **.XX** with the required carcass colour below



300mm Unit Finish	353mm Standard Depth	218mm Slim Depth
<b>SHELF STORAGE UNIT</b>		
Graphite	F3SS3.D	F2SS3.D
Natural Oak	F3SS3.OK	F2SS3.OK
White	F3SS3.W	F2SS3.W
<b>£207.00</b> each		<b>£183.00</b> each

**END PANELS REQUIRED**

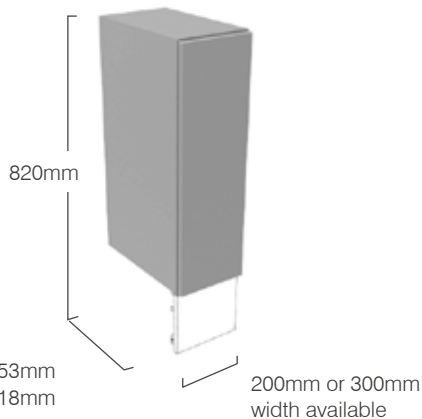
Exposed carcass sides are covered by using colour matched end panels which will be required to complete your fitted furniture run. See pages 136-139 for panel options.

**PLINTH REQUIRED**

Most freestanding units require a colour matched plinth to be installed to cover any pipework underneath the units. See pages 140 for plinth options.

# 200 & 300MM FLOOR CUPBOARDS

**DON'T FORGET TO ORDER YOUR HANDLES SEE PAGES 86-87**



## 200 & 300MM STANDARD / SLIM DEPTH FLOOR CUPBOARD WITH FASCIA DOOR PACK

### FEATURES

- Soft close hinges.
- One adjustable shelf.
- Reversible door.
- A plinth is required for this unit - see pages 140.

\* These products have plain fronted fascia packs.

200mm Unit Finish	353mm Standard Depth	218mm Slim Depth
----------------------	-------------------------	---------------------

BURFORD STANDARD WC		
Juniper Green *	F3FC2.JNP. <b>XX</b>	F2FC2.JNP. <b>XX</b>
Coniston Blue *	F3FC2.CB. <b>XX</b>	F2FC2.CB. <b>XX</b>
Derwent Blue *	F3FC2.DB. <b>XX</b>	F2FC2.DB. <b>XX</b>
Chalk White *	F3FC2.CW. <b>XX</b>	F2FC2.CW. <b>XX</b>
Mocha *	F3FC2.MC. <b>XX</b>	F2FC2.MC. <b>XX</b>
Pebble Grey *	F3FC2.PG. <b>XX</b>	F2FC2.PG. <b>XX</b>
Slate Grey *	F3FC2.SG. <b>XX</b>	F2FC2.SG. <b>XX</b>
Black *	F3FC2.BLK. <b>XX</b>	F2FC2.BLK. <b>XX</b>
Terra *	F3FC2.TER. <b>XX</b>	F2FC2.TER. <b>XX</b>
Dusk Blue *	F3FC2.DSK. <b>XX</b>	F2FC2.DSK. <b>XX</b>
Sage Green *	F3FC2.SGN. <b>XX</b>	F2FC2.SGN. <b>XX</b>
Manor Green *	F3FC2.MGN. <b>XX</b>	F2FC2.MGN. <b>XX</b>

ARUBA		
Juniper Green	F3FC2.JNP. <b>XX</b>	F2FC2.JNP. <b>XX</b>
Powder Grey	F3FC2.POW. <b>XX</b>	F2FC2.POW. <b>XX</b>
Mussel	F3FC2.MSL. <b>XX</b>	F2FC2.MSL. <b>XX</b>
Derwent Blue	F3FC2.DB. <b>XX</b>	F2FC2.DB. <b>XX</b>
Gloss Dark Clay	F3FC2.GDC. <b>XX</b>	F2FC2.GDC. <b>XX</b>
Oxford Oak	F3FC2.OXO. <b>XX</b>	F2FC2.OXO. <b>XX</b>
Coniston Blue	F3FC2.CB. <b>XX</b>	F2FC2.CB. <b>XX</b>
Terra	F3FC2.TER. <b>XX</b>	F2FC2.TER. <b>XX</b>
White	F3FC2.W. <b>XX</b>	F2FC2.W. <b>XX</b>

ELAN		
Black	EF3FC2.BLK. <b>XX</b>	EF2FC2.BLK. <b>XX</b>
Terra	EF3FC2.TER. <b>XX</b>	EF2FC2.TER. <b>XX</b>
Powder Grey	EF3FC2.POW. <b>XX</b>	EF2FC2.POW. <b>XX</b>
Juniper Green	EF3FC2.JNP. <b>XX</b>	EF2FC2.JNP. <b>XX</b>
Coniston Blue	EF3FC2.CB. <b>XX</b>	EF2FC2.CB. <b>XX</b>

**£337.50** each

**£312.50** each

Replace **.XX** with the required carcass colour below



300mm Unit Finish	353mm Standard Depth	218mm Slim Depth
----------------------	-------------------------	---------------------

BURFORD STANDARD WC		
Juniper Green	DF3FC3.JNP. <b>XX</b>	DF2FC3.JNP. <b>XX</b>
Coniston Blue	DF3FC3.CB. <b>XX</b>	DF2FC3.CB. <b>XX</b>
Derwent Blue	DF3FC3.DB. <b>XX</b>	DF2FC3.DB. <b>XX</b>
Chalk White	DF3FC3.CW. <b>XX</b>	DF2FC3.CW. <b>XX</b>
Mocha	DF3FC3.MC. <b>XX</b>	DF2FC3.MC. <b>XX</b>
Pebble Grey	DF3FC3.PG. <b>XX</b>	DF2FC3.PG. <b>XX</b>
Slate Grey	DF3FC3.SG. <b>XX</b>	DF2FC3.SG. <b>XX</b>
Black	DF3FC3.BLK. <b>XX</b>	DF2FC3.BLK. <b>XX</b>
Terra	DF3FC3.TER. <b>XX</b>	DF2FC3.TER. <b>XX</b>
Dusk Blue	DF3FC3.DSK. <b>XX</b>	DF2FC3.DSK. <b>XX</b>
Sage Green	DF3FC3.SGN. <b>XX</b>	DF2FC3.SGN. <b>XX</b>
Manor Green	DF3FC3.MGN. <b>XX</b>	DF2FC3.MGN. <b>XX</b>

ARUBA		
Juniper Green	AF3FC3.JNP. <b>XX</b>	AF2FC3.JNP. <b>XX</b>
Powder Grey	AF3FC3.POW. <b>XX</b>	AF2FC3.POW. <b>XX</b>
Mussel	AF3FC3.MSL. <b>XX</b>	AF2FC3.MSL. <b>XX</b>
Derwent Blue	AF3FC3.DB. <b>XX</b>	AF2FC3.DB. <b>XX</b>
Gloss Dark Clay	AF3FC3.GDC. <b>XX</b>	AF2FC3.GDC. <b>XX</b>
Oxford Oak	AF3FC3.OXO. <b>XX</b>	AF2FC3.OXO. <b>XX</b>
Coniston Blue	AF3FC3.CB. <b>XX</b>	AF2FC3.CB. <b>XX</b>
Terra	AF3FC3.TER. <b>XX</b>	AF2FC3.TER. <b>XX</b>
White	AF3FC3.W. <b>XX</b>	AF2FC3.W. <b>XX</b>

ELAN		
Black	EF3FC3.BLK. <b>XX</b>	EF2FC3.BLK. <b>XX</b>
Terra	EF3FC3.TER. <b>XX</b>	EF2FC3.TER. <b>XX</b>
Powder Grey	EF3FC3.POW. <b>XX</b>	EF2FC3.POW. <b>XX</b>
Juniper Green	EF3FC3.JNP. <b>XX</b>	EF2FC3.JNP. <b>XX</b>
Coniston Blue	EF3FC3.CB. <b>XX</b>	EF2FC3.CB. <b>XX</b>

**£360.50** each

**£337.50** each

Replace **.XX** with the required carcass colour below



**END PANELS REQUIRED**

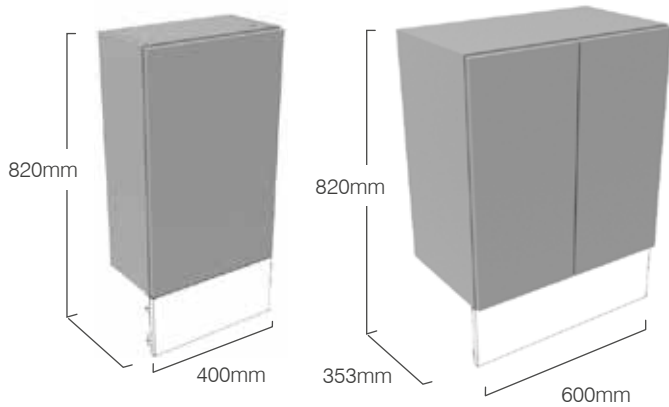
Exposed carcass sides are covered by using colour matched end panels which will be required to complete your fitted furniture run. See pages 136-139 for panel options.

**PLINTH REQUIRED**

Most freestanding units require a colour matched plinth to be installed to cover any pipework underneath the units. See pages 140 for plinth options.



# 400 & 600MM FLOOR CUPBOARDS



Standard depth 353mm  
Slim depth 218mm

## 400 & 600MM STANDARD / SLIM DEPTH FLOOR CUPBOARD WITH FASCIA DOOR PACK

### FEATURES

- Soft close hinges.
- One adjustable shelf.
- 400mm unit has reversible door.
- 600mm unit only available in standard depth
- A plinth is required for this unit - see pages 140.

**DON'T FORGET TO ORDER YOUR HANDLES SEE PAGES 86-87**

400mm Unit Finish	353mm Standard Depth	218mm Slim Depth
----------------------	-------------------------	---------------------

BURFORD		
Juniper Green	DF3FC4.JNP. <b>XX</b>	DF2FC4.JNP. <b>XX</b>
Coniston Blue	DF3FC4.CB. <b>XX</b>	DF2FC4.CB. <b>XX</b>
Derwent Blue	DF3FC4.DB. <b>XX</b>	DF2FC4.DB. <b>XX</b>
Chalk White	DF3FC4.CW. <b>XX</b>	DF2FC4.CW. <b>XX</b>
Mocha	DF3FC4.MC. <b>XX</b>	DF2FC4.MC. <b>XX</b>
Pebble Grey	DF3FC4.PG. <b>XX</b>	DF2FC4.PG. <b>XX</b>
Slate Grey	DF3FC4.SG. <b>XX</b>	DF2FC4.SG. <b>XX</b>
Black	DF3FC4.BLK. <b>XX</b>	DF2FC4.BLK. <b>XX</b>
Terra	DF3FC4.TER. <b>XX</b>	DF2FC4.TER. <b>XX</b>
Dusk Blue	DF3FC4.DSK. <b>XX</b>	DF2FC4.DSK. <b>XX</b>
Sage Green	DF3FC4.SGN. <b>XX</b>	DF2FC4.SGN. <b>XX</b>
Manor Green	DF3FC4.MGN. <b>XX</b>	DF2FC4.MGN. <b>XX</b>

ARUBA		
Juniper Green	AF3FC4.JNP. <b>XX</b>	AF2FC4.JNP. <b>XX</b>
Powder Grey	AF3FC4.POW. <b>XX</b>	AF2FC4.POW. <b>XX</b>
Mussel	AF3FC4.MSL. <b>XX</b>	AF2FC4.MSL. <b>XX</b>
Derwent Blue	AF3FC4.DB. <b>XX</b>	AF2FC4.DB. <b>XX</b>
Gloss Dark Clay	AF3FC4.GDC. <b>XX</b>	AF2FC4.GDC. <b>XX</b>
Oxford Oak	AF3FC4.OXO. <b>XX</b>	AF2FC4.OXO. <b>XX</b>
Coniston Blue	AF3FC4.CB. <b>XX</b>	AF2FC4.CB. <b>XX</b>
Terra	AF3FC4.TER. <b>XX</b>	AF2FC4.TER. <b>XX</b>
White	AF3FC4.W. <b>XX</b>	AF2FC4.W. <b>XX</b>

ELAN		
Black	EF3FC4.BLK. <b>XX</b>	EF2FC4.BLK. <b>XX</b>
Terra	EF3FC4.TER. <b>XX</b>	EF2FC4.TER. <b>XX</b>
Powder Grey	EF3FC4.POW. <b>XX</b>	EF2FC4.POW. <b>XX</b>
Juniper Green	EF3FC4.JNP. <b>XX</b>	EF2FC4.JNP. <b>XX</b>
Coniston Blue	EF3FC4.CB. <b>XX</b>	EF2FC4.CB. <b>XX</b>

**£410.40** each

**£361.40** each

Replace **.XX** with the required carcass colour below



600mm Unit Finish	353mm Standard Depth
----------------------	-------------------------

BURFORD	
Juniper Green	DF3FC6.JNP. <b>XX</b>
Coniston Blue	DF3FC6.CB. <b>XX</b>
Derwent Blue	DF3FC6.DB. <b>XX</b>
Chalk White	DF3FC6.CW. <b>XX</b>
Mocha	DF3FC6.MC. <b>XX</b>
Pebble Grey	DF3FC6.PG. <b>XX</b>
Slate Grey	DF3FC6.SG. <b>XX</b>
Black	DF3FC6.BLK. <b>XX</b>
Terra	DF3FC6.TER. <b>XX</b>
Dusk Blue	DF3FC6.DSK. <b>XX</b>
Sage Green	DF3FC6.SGN. <b>XX</b>
Manor Green	DF3FC6.MGN. <b>XX</b>

ARUBA	
Juniper Green	AF3FC6.JNP. <b>XX</b>
Powder Grey	AF3FC6.POW. <b>XX</b>
Mussel	AF3FC6.MSL. <b>XX</b>
Derwent Blue	AF3FC6.DB. <b>XX</b>
Gloss Dark Clay	AF3FC6.GDC. <b>XX</b>
Oxford Oak	AF3FC6.OXO. <b>XX</b>
Coniston Blue	AF3FC6.CB. <b>XX</b>
Terra	AF3FC6.TER. <b>XX</b>
White	AF3FC6.W. <b>XX</b>

ELAN	
Black	EF3FC6.BLK. <b>XX</b>
Terra	EF3FC6.TER. <b>XX</b>
Powder Grey	EF3FC6.POW. <b>XX</b>
Juniper Green	EF3FC6.JNP. <b>XX</b>
Coniston Blue	EF3FC6.CB. <b>XX</b>

**£525.00** each

Replace **.XX** with the required carcass colour below



**END PANELS REQUIRED**

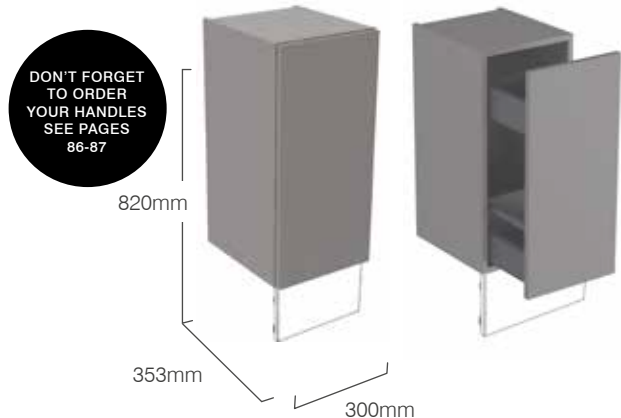
Exposed carcass sides are covered by using colour matched end panels which will be required to complete your fitted furniture run. See pages 136-139 for panel options.

**PLINTH REQUIRED**

Most freestanding units require a colour matched plinth to be installed to cover any pipework underneath the units. See pages 140 for plinth options.

# 300MM TALL DRAWER UNITS

# 600MM SIT ON COUNTERTOP UNIT



## FEATURES

- Soft close drawer with 2 drawer boxes for storage. See diagram above.
- A plinth is required for this unit - see page 140.

300mm Unit Finish	353mm Standard Depth
<b>BURFORD</b>	
Juniper Green	DF3TD3.JNP. <b>XX</b>
Coniston Blue	DF3TD3.CB. <b>XX</b>
Derwent Blue	DF3TD3.DB. <b>XX</b>
Chalk White	DF3TD3.CW. <b>XX</b>
Mocha	DF3TD3.MC. <b>XX</b>
Pebble Grey	DF3TD3.PG. <b>XX</b>
Slate Grey	DF3TD3.SG. <b>XX</b>
Black	DF3TD3.BLK. <b>XX</b>
Terra	DF3TD3.TER. <b>XX</b>
Dusk Blue	DF3TD3.DSK. <b>XX</b>
Sage Green	DF3TD3.SGN. <b>XX</b>
Manor Green	DF3TD3.MGN. <b>XX</b>
<b>ARUBA</b>	
Juniper Green	AF3TD3.JNP. <b>XX</b>
Powder Grey	AF3TD3.POW. <b>XX</b>
Mussel	AF3TD3.MSL. <b>XX</b>
Derwent Blue	AF3TD3.DB. <b>XX</b>
Gloss Dark Clay	AF3TD3.GDC. <b>XX</b>
Oxford Oak	AF3TD3.OXO. <b>XX</b>
Coniston Blue	AF3TD3.CB. <b>XX</b>
Terra	AF3TD3.TER. <b>XX</b>
White	AF3TD3.W. <b>XX</b>
<b>ELAN</b>	
Black	EF3TD3.BLK. <b>XX</b>
Terra	EF3TD3.TER. <b>XX</b>
Powder Grey	EF3TD3.POW. <b>XX</b>
Juniper Green	EF3TD3.JNP. <b>XX</b>
Coniston Blue	EF3TD3.CB. <b>XX</b>

**£486.50** each

Replace **.XX** with the required carcass colour below



**END  
PANELS  
REQUIRED**

Exposed carcass sides are covered by using colour matched end panels which will be required to complete your fitted furniture run. See pages 136-139 for panel options.



## FEATURES

- Soft close hinges.
- Two adjustable glass shelves.
- One fixed wooden shelf.
- Can be used on worktop or directly mounted onto a slim depth BTW unit.

\* If mounted directly on BTW unit - slim depth tall end panels should be used.

\* If used above a run of furniture - panels must be used between base units to achieve lineup of panels. See page 137 for more details.

300mm Unit Finish	218mm Slim Depth
<b>BURFORD</b>	
Juniper Green	DF2CU6.JNP. <b>XX</b>
Coniston Blue	DF2CU6.CB. <b>XX</b>
Derwent Blue	DF2CU6.DB. <b>XX</b>
Chalk White	DF2CU6.CW. <b>XX</b>
Mocha	DF2CU6.MC. <b>XX</b>
Pebble Grey	DF2CU6.PG. <b>XX</b>
Slate Grey	DF2CU6.SG. <b>XX</b>
Black	DF2CU6.BLK. <b>XX</b>
Terra	DF2CU6.TER. <b>XX</b>
Dusk Blue	DF2CU6.DSK. <b>XX</b>
Sage Green	DF2CU6.SGN. <b>XX</b>
Manor Green	DF2CU6.MGN. <b>XX</b>
<b>ARUBA</b>	
Juniper Green	AF2CU6.JNP. <b>XX</b>
Powder Grey	AF2CU6.POW. <b>XX</b>
Mussel	AF2CU6.MSL. <b>XX</b>
Derwent Blue	AF2CU6.DB. <b>XX</b>
Gloss Dark Clay	AF2CU6.GDC. <b>XX</b>
Oxford Oak	AF2CU6.OXO. <b>XX</b>
Coniston Blue	AF2CU6.CB. <b>XX</b>
Terra	AF2CU6.TER. <b>XX</b>
White	AF2CU6.W. <b>XX</b>
<b>ELAN</b>	
Black	EF2CU6.BLK. <b>XX</b>
Terra	EF2CU6.TER. <b>XX</b>
Powder Grey	EF2CU6.POW. <b>XX</b>
Juniper Green	EF2CU6.JNP. <b>XX</b>
Coniston Blue	EF2CU6.CB. <b>XX</b>

**£682.00** each

Replace **.XX** with the required carcass colour below



**VERSATILE**

The sit on unit can be used either on a worktop or sat directly on top of a slim depth BTW unit.



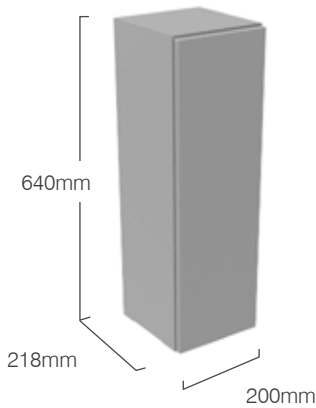
# 200MM WALL MOUNTED CUPBOARD

SUITABLE FOR STANDARD & SLIM DEPTH UNITS

# 300MM WALL MOUNTED CUPBOARD

SUITABLE FOR STANDARD & SLIM DEPTH UNITS

DON'T FORGET TO ORDER YOUR HANDLES SEE PAGES 86-87



## FEATURES

- Soft close hinges.
- Reversible door.
- Two glass shelves.
- Concealed hangers.

\* These products have plain fronted fascia packs.

200mm Unit Finish	218mm Slim Depth
-------------------	------------------

BURFORD	
Juniper Green	F2WC2.JNP. <b>XX</b>
Coniston Blue	F2WC2.CB. <b>XX</b>
Derwent Blue	F2WC2.DB. <b>XX</b>
Chalk White	F2WC2.CW. <b>XX</b>
Mocha	F2WC2.MC. <b>XX</b>
Pebble Grey	F2WC2.PG. <b>XX</b>
Slate Grey	F2WC2.SG. <b>XX</b>
Black	F2WC2.BLK. <b>XX</b>
Terra	F2WC2.TER. <b>XX</b>
Dusk Blue	F2WC2.DSK. <b>XX</b>
Sage Green	F2WC2.SGN. <b>XX</b>
Manor Green	F2WC2.MGN. <b>XX</b>

ARUBA	
Juniper Green	F2WC2.JNP. <b>XX</b>
Powder Grey	F2WC2.POW. <b>XX</b>
Mussel	F2WC2.MSL. <b>XX</b>
Derwent Blue	F2WC2.DB. <b>XX</b>
Gloss Dark Clay	F2WC2.GDC. <b>XX</b>
Oxford Oak	F2WC2.OXO. <b>XX</b>
Coniston Blue	F2WC2.CB. <b>XX</b>
Terra	F2WC2.TER. <b>XX</b>
White	F2WC2.W. <b>XX</b>

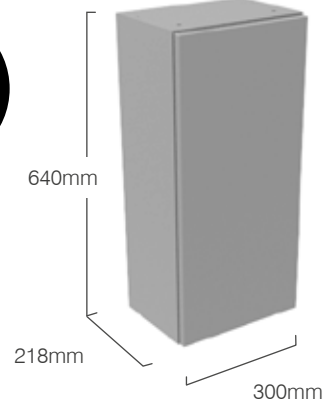
ELAN	
Black	EF2WC2.BLK. <b>XX</b>
Terra	EF2WC2.TER. <b>XX</b>
Powder Grey	EF2WC2.POW. <b>XX</b>
Juniper Green	EF2WC2.JNP. <b>XX</b>
Coniston Blue	EF2WC2.CB. <b>XX</b>

**£302.50** each

Replace **.XX** with the required carcass colour below



DON'T FORGET TO ORDER YOUR HANDLES SEE PAGES 86-87



## FEATURES

- Soft close hinges.
- Reversible door.
- Two glass shelves.
- Concealed hangers.

300mm Unit Finish	218mm Slim Depth
-------------------	------------------

BURFORD	
Juniper Green	DF2WC3.JNP. <b>XX</b>
Coniston Blue	DF2WC3.CB. <b>XX</b>
Derwent Blue	DF2WC3.DB. <b>XX</b>
Chalk White	DF2WC3.CW. <b>XX</b>
Mocha	DF2WC3.MC. <b>XX</b>
Pebble Grey	DF2WC3.PG. <b>XX</b>
Slate Grey	DF2WC3.SG. <b>XX</b>
Black	DF2WC3.BLK. <b>XX</b>
Terra	DF2WC3.TER. <b>XX</b>
Dusk Blue	DF2WC3.DSK. <b>XX</b>
Sage Green	DF2WC3.SGN. <b>XX</b>
Manor Green	DF2WC3.MGN. <b>XX</b>

ARUBA	
Juniper Green	AF2WC3.JNP. <b>XX</b>
Powder Grey	AF2WC3.POW. <b>XX</b>
Mussel	AF2WC3.MSL. <b>XX</b>
Derwent Blue	AF2WC3.DB. <b>XX</b>
Gloss Dark Clay	AF2WC3.GDC. <b>XX</b>
Oxford Oak	AF2WC3.OXO. <b>XX</b>
Coniston Blue	AF2WC3.CB. <b>XX</b>
Terra	AF2WC3.TER. <b>XX</b>
White	AF2WC3.W. <b>XX</b>

ELAN	
Black	EF2WC3.BLK. <b>XX</b>
Terra	EF2WC3.TER. <b>XX</b>
Powder Grey	EF2WC3.POW. <b>XX</b>
Juniper Green	EF2WC3.JNP. <b>XX</b>
Coniston Blue	EF2WC3.CB. <b>XX</b>

**£340.50** each

Replace **.XX** with the required carcass colour below



END PANELS REQUIRED

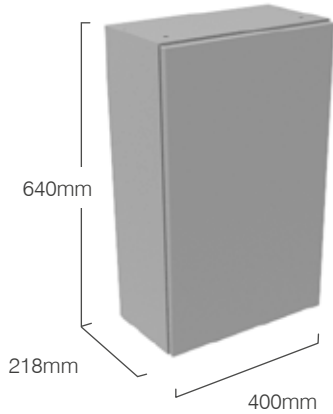
Exposed carcass sides are covered by using colour matched end panels which will be required to complete your fitted furniture run. See pages 136-139 for panel options.



# 400MM WALL MOUNTED CUPBOARD

SUITABLE FOR STANDARD & SLIM DEPTH UNITS

DON'T FORGET TO ORDER YOUR HANDLES SEE PAGES 86-87



## FEATURES

- Soft close hinges.
- Reversible door.
- Two glass shelves.
- Concealed hangers.

400mm Unit Finish	218mm Slim Depth
----------------------	---------------------

BURFORD	
Juniper Green *	DF2WC4.JNP. <b>XX</b>
Coniston Blue *	DF2WC4.CB. <b>XX</b>
Derwent Blue *	DF2WC4.DB. <b>XX</b>
Chalk White *	DF2WC4.CW. <b>XX</b>
Mocha *	DF2WC4.MC. <b>XX</b>
Pebble Grey *	DF2WC4.PG. <b>XX</b>
Slate Grey *	DF2WC4.SG. <b>XX</b>
Black *	DF2WC4.BLK. <b>XX</b>
Terra *	DF2WC4.TER. <b>XX</b>
Dusk Blue *	DF2WC4.DSK. <b>XX</b>
Sage Green *	DF2WC4.SGN. <b>XX</b>
Manor Green *	DF2WC2.MGN. <b>XX</b>

ARUBA	
Juniper Green	AF2WC4.JNP. <b>XX</b>
Powder Grey	AF2WC4.POW. <b>XX</b>
Mussel	AF2WC4.MSL. <b>XX</b>
Derwent Blue	AF2WC4.DB. <b>XX</b>
Gloss Dark Clay	AF2WC4.GDC. <b>XX</b>
Oxford Oak	AF2WC4.OXO. <b>XX</b>
Coniston Blue	AF2WC4.CB. <b>XX</b>
Terra	AF2WC4.TER. <b>XX</b>
White	AF2WC4.W. <b>XX</b>

ELAN	
Black	EF2WC4.BLK. <b>XX</b>
Terra	EF2WC4.TER. <b>XX</b>
Powder Grey	EF2WC4.POW. <b>XX</b>
Juniper Green	EF2WC4.JNP. <b>XX</b>
Coniston Blue	EF2WC4.CB. <b>XX</b>

**£375.40** each

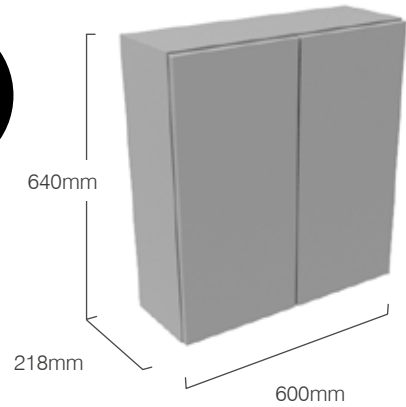
Replace **.XX** with the required carcass colour below



# 600MM WALL MOUNTED CUPBOARD

SUITABLE FOR STANDARD & SLIM DEPTH UNITS

DON'T FORGET TO ORDER YOUR HANDLES SEE PAGES 86-87



## FEATURES

- Soft close hinges.
- Two glass shelves.
- Concealed hangers.

600mm Unit Finish	218mm Slim Depth
----------------------	---------------------

BURFORD	
Juniper Green	DF2WC6.JNP. <b>XX</b>
Coniston Blue	DF2WC6.CB. <b>XX</b>
Derwent Blue	DF2WC6.DB. <b>XX</b>
Chalk White	DF2WC6.CW. <b>XX</b>
Mocha	DF2WC6.MC. <b>XX</b>
Pebble Grey	DF2WC6.PG. <b>XX</b>
Slate Grey	DF2WC6.SG. <b>XX</b>
Black	DF2WC6.BLK. <b>XX</b>
Terra	DF2WC6.TER. <b>XX</b>
Dusk Blue	DF2WC6.DSK. <b>XX</b>
Sage Green	DF2WC6.SGN. <b>XX</b>
Manor Green	DF2WC6.MGN. <b>XX</b>

ARUBA	
Juniper Green	AF2WC6.JNP. <b>XX</b>
Powder Grey	AF2WC6.POW. <b>XX</b>
Mussel	AF2WC6.MSL. <b>XX</b>
Derwent Blue	AF2WC6.DB. <b>XX</b>
Gloss Dark Clay	AF2WC6.GDC. <b>XX</b>
Oxford Oak	AF2WC6.OXO. <b>XX</b>
Coniston Blue	AF2WC6.CB. <b>XX</b>
Terra	AF2WC6.TER. <b>XX</b>
White	AF2WC6.W. <b>XX</b>

ELAN	
Black	EF2WC6.BLK. <b>XX</b>
Terra	EF2WC6.TER. <b>XX</b>
Powder Grey	EF2WC6.POW. <b>XX</b>
Juniper Green	EF2WC6.JNP. <b>XX</b>
Coniston Blue	EF2WC6.CB. <b>XX</b>

**£525.00** each

Replace **.XX** with the required carcass colour below

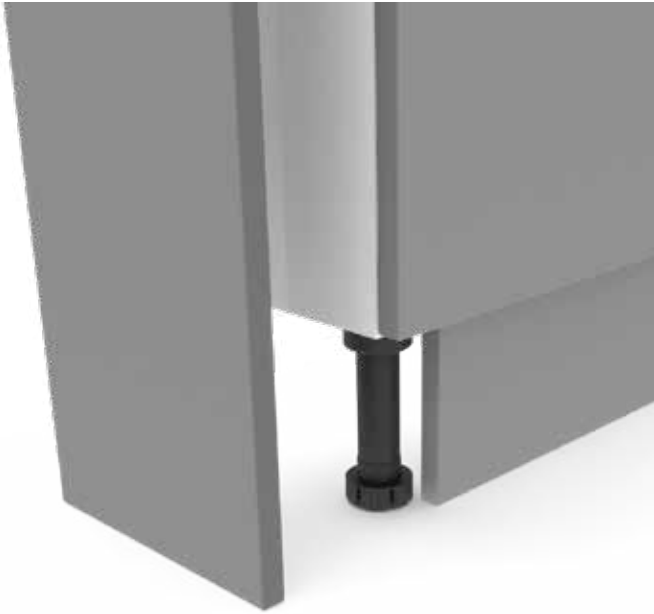


END PANELS REQUIRED

Exposed carcass sides are covered by using colour matched end panels which will be required to complete your fitted furniture run. See pages 136-139 for panel options.

# FILLER PANELS, DESIGN, CLAD-ON END PANELS & PLINTHS

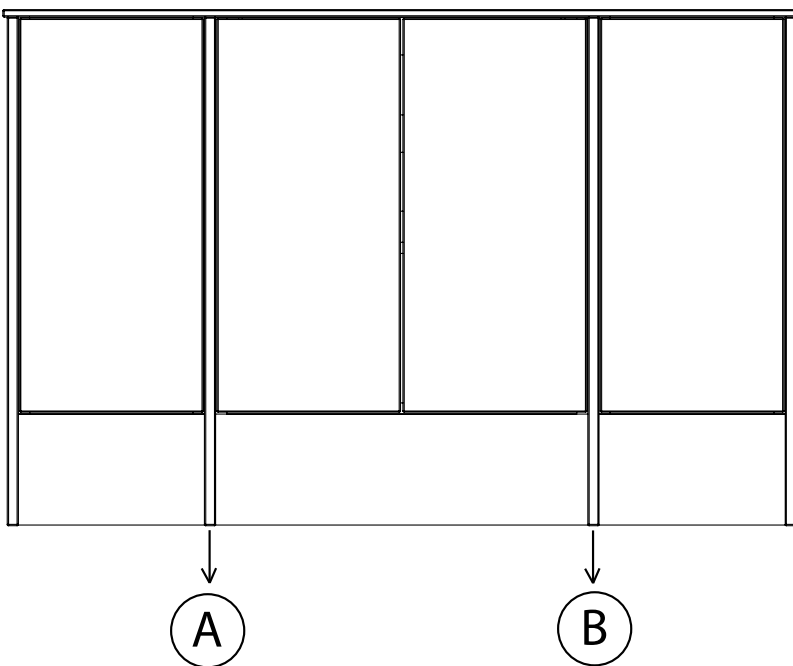
---



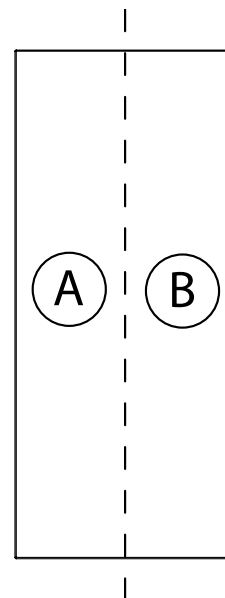
All of our fitted furniture ranges can be wall hung or floor mounted, depending on your desired look. If you opt for floorstanding units, you will need to order colour matched plinths in order to hide the leg supports.

For all fitted furniture you will need to order end panels to complete your look, unless your furniture runs wall to wall. If using end panels in between units to create a framed look, please be aware that one end panel can be cut in half to save costs.

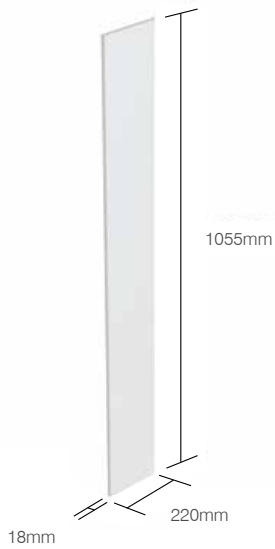
When creating a 'framed' look, cutting 1 x standard depth end panel in half saves on material and on overall cost. These 2 half depths (A & B) can be installed between units.



Standard Depth End Panel



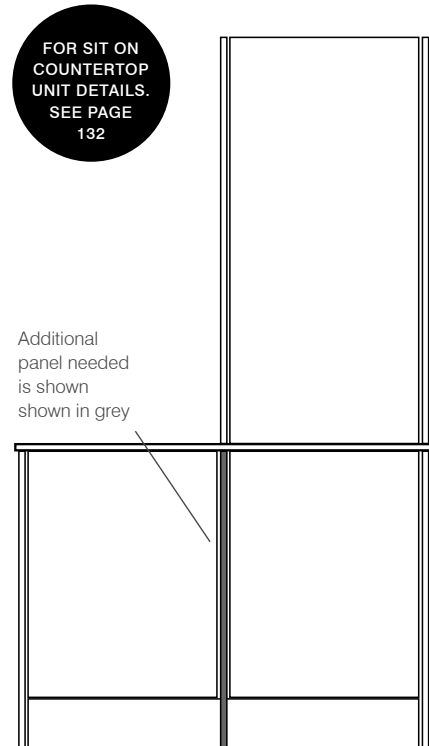
# COUNTERTOP SIT ON UNIT - SLIM DEPTH END PANELS



## FEATURES

- Panels required to finish both sides of the countertop sit on unit
- Slim depth panels only to match countertop sit on unit
- If used above a run of furniture - panels must be used between base units to achieve lineup of panels – see diagram below

\* Burford end panels have feature tongue & groove effect.



18mm Above c/top end panel	220mm Slim Depth
<b>BURFORD</b>	
Juniper Green *	DF2TP10.JNP
Coniston Blue *	DF2TP10.CB
Derwent Blue *	DF2TP10.DB
Chalk White *	DF2TP10.CW
Mocha *	DF2TP10.MC
Pebble Grey *	DF2TP10.PG
Slate Grey *	DF2TP10.SG
Black *	DF2TP10.BLK
Terra *	DF2TP10.TER
Dusk Blue *	DF2TP10.DSK
Sage Green *	DF2TP10.SGN
Manor Green *	DF2TP10.MGN

**£112.91** each

<b>ARUBA</b>	
Juniper Green	F2TP10.JNP
Powder Grey	F2TP10.POW
Mussel	F2TP10.MSL
Derwent Blue	F2TP10.DB
Gloss Dark Clay	F2TP10.GDC
Oxford Oak	F2TP10.OXO
Coniston Blue	F2TP10.CB
Terra	F2TP10.TER
White	F2TP10.W

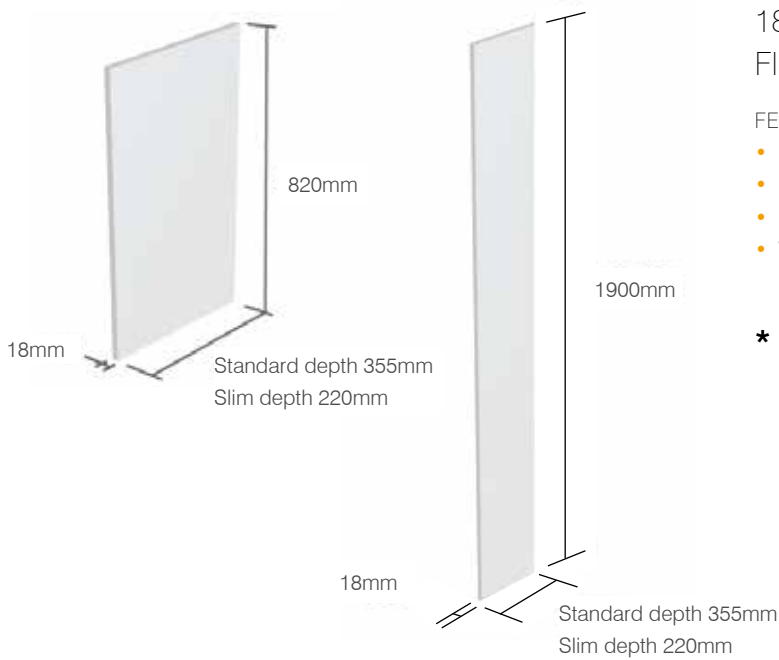
**£96.50** each

<b>ELAN</b>	
Black	F2TP10.BLK
Terra	F2TP10.TER
Powder Grey	F2TP10.POW
Juniper Green	F2TP10.JNP
Coniston Blue	F2TP10.CB

**£96.50** each



# 18MM TALL FILLER PANELS



## 18MM STANDARD / SLIM DEPTH FILLER END PANELS

### FEATURES

- Full finished edges.
- Can be cut to suit different installations.
- Use for colour matched end panels.
- When more than one filler panel between units we recommend cutting in half for cost efficiency.

\* Burford end panels have feature tongue & groove effect.

18mm Filler Panel	355mm Standard Depth	220mm Slim Depth
----------------------	-------------------------	---------------------

	CODE	PRICE	CODE	PRICE
<b>BURFORD</b>				
Juniper Green *	DF3P8.JNP	£80.10	DF2P8.JNP	£68.70
Coniston Blue *	DF3P8.CB	£80.10	DF2P8.CB	£68.70
Derwent Blue *	DF3P8.DB	£80.10	DF2P8.DB	£68.70
Chalk White *	DF3P8.CW	£80.10	DF2P8.CW	£68.70
Mocha *	DF3P8.MC	£80.10	DF2P8.MC	£68.70
Pebble Grey *	DF3P8.PG	£80.10	DF2P8.PG	£68.70
Slate Grey *	DF3P8.SG	£80.10	DF2P8.SG	£68.70
Black *	DF3P8.BLK	£80.10	DF2P8.BLK	£68.70
Terra *	DF3P8.TER	£80.10	DF2P8.TER	£68.70
Dusk Blue *	DF3P8.DSK	£80.10	DF2P8.DSK	£68.70
Sage Green *	DF3P8.SGN	£80.10	DF2P8.SGN	£68.70
Manor Green *	DF3P8.MGN	£80.10	DF2P8.MGN	£68.70

<b>ARUBA</b>				
Juniper Green	F3P8.JNP	£93.40	F2P8.JNP	£57.20
Powder Grey	F3P8.POW	£93.40	F2P8.POW	£57.20
Mussel	F3P8.MSL	£93.40	F2P8.MSL	£57.20
Derwent Blue	F3P8.DB	£93.40	F2P8.DB	£57.20
Gloss Dark Clay	F3P8.GDC	£93.40	F2P8.GDC	£57.20
Oxford Oak	F3P8.OXO	£93.40	F2P8.OXO	£57.20
Coniston Blue	F3P8.CB	£93.40	F2P8.CB	£57.20
Terra	F3P8.TER	£93.40	F2P8.TER	£57.20
White	F3P8.W	£93.40	F2P8.W	£57.20

<b>ELAN</b>				
Black	F3P8.BLK	£93.40	F2P8.BLK	£57.20
Terra	F3P8.TER	£93.40	F2P8.TER	£57.20
Powder Grey	F3P8.POW	£93.40	F2P8.POW	£57.20
Juniper Green	F3P8.JNP	£93.40	F2P8.JNP	£57.20
Coniston Blue	F3P8.CB	£93.40	F2P8.CB	£57.20

18mm Tall Filler Panel	355mm Standard Depth	220mm Slim Depth
---------------------------	-------------------------	---------------------

	CODE	PRICE	CODE	PRICE
<b>BURFORD</b>				
Juniper Green *	DF3TP19.JNP	£202.00	DF2TP19.JNP	£193.00
Coniston Blue *	DF3TP19.CB	£202.00	DF2TP19.CB	£193.00
Derwent Blue *	DF3TP19.DB	£202.00	DF2TP19.DB	£193.00
Chalk White *	DF3TP19.CW	£202.00	DF2TP19.CW	£193.00
Mocha *	DF3TP19.MC	£202.00	DF2TP19.MC	£193.00
Pebble Grey *	DF3TP19.PG	£202.00	DF2TP19.PG	£193.00
Slate Grey *	DF3TP19.SG	£202.00	DF2TP19.SG	£193.00
Black *	DF3TP19.BLK	£202.00	DF2TP19.BLK	£193.00
Terra *	DF3TP19.TER	£202.00	DF2TP19.TER	£193.00
Dusk Blue *	DF3TP19.DSK	£202.00	DF2TP19.DSK	£193.00
Sage Green *	DF3TP19.SGN	£202.00	DF2TP19.SGN	£193.00
Manor Green *	DF3TP19.MGN	£202.00	DF2TP19.MGN	£193.00

<b>ARUBA</b>				
Juniper Green	F3TP19.JNP	£172.00	F2TP19.JNP	£146.50
Powder Grey	F3TP19.POW	£172.00	F2TP19.POW	£146.50
Mussel	F3TP19.MSL	£172.00	F2TP19.MSL	£146.50
Derwent Blue	F3TP19.DB	£172.00	F2TP19.DB	£146.50
Gloss Dark Clay	F3TP19.GDC	£172.00	F2TP19.GDC	£146.50
Oxford Oak	F3TP19.OXO	£172.00	F2TP19.OXO	£146.50
Coniston Blue	F3TP19.CB	£172.00	F2TP19.CB	£146.50
Terra	F3TP19.TER	£172.00	F2TP19.TER	£146.50
White	F3TP19.W	£172.00	F2TP19.W	£146.50

<b>ELAN</b>				
Black	F3TP19.BLK	£172.00	F2TP19.BLK	£146.50
Terra	F3TP19.TER	£172.00	F2TP19.TER	£146.50
Powder Grey	F3TP19.POW	£172.00	F2TP19.POW	£146.50
Juniper Green	F3TP19.JNP	£172.00	F2TP19.JNP	£146.50
Coniston Blue	F3TP19.CB	£172.00	F2TP19.CB	£146.50



# 30MM DESIGN / CLAD-ON END DESIGN PANELS



## STANDARD / SLIM DEPTH DESIGN CLAD-ON DESIGN PANELS

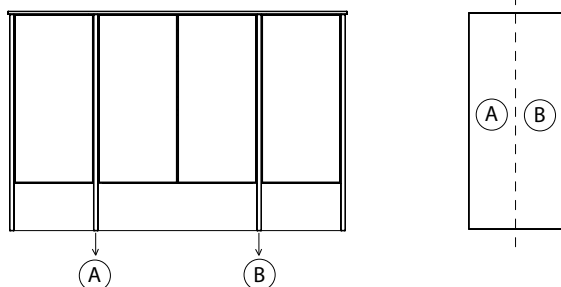
### FEATURES

- Clad on to units to create striking effects.
- Allows creation of a framed inset door look.
- Use with standard and slim depth base units.
- Cut down for wall-hung base unit installations
- When more than one filler panel between units we recommend
  - cutting in half for cost efficiency.

\* Burford end panels have feature tongue & groove effect.

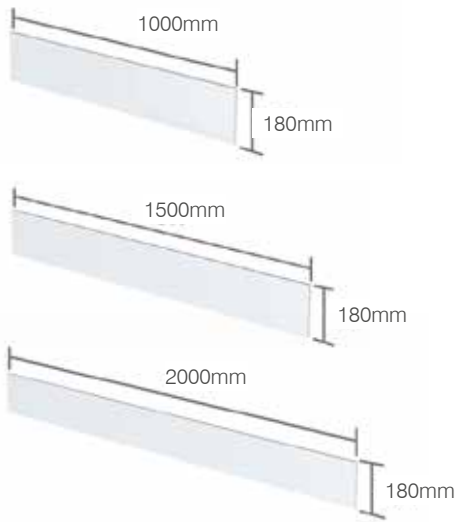
When creating a 'framed' look, cutting 1 x standard depth end panel in half saves on material and on overall cost. These 2 half depth panels (A & B) can be installed between units.

Standard Depth End Panel



Design Clad-On End Panel Finish	Standard Depth		Slim Depth	
<b>BURFORD</b>	CODE	PRICE	CODE	PRICE
Juniper Green *	DF3APJNP	£115.00	DF2APJNP	£83.10
Coniston Blue *	DF3APCB	£115.00	DF2APCB	£83.10
Derwent Blue *	DF3APDB	£115.00	DF2APDB	£83.10
Chalk White *	DF3APCW	£115.00	DF2APCW	£83.10
Mocha *	DF3APMC	£115.00	DF2APMC	£83.10
Pebble Grey *	DF3APPG	£115.00	DF2APPG	£83.10
Slate Grey *	DF3APSG	£115.00	DF2APSG	£83.10
Black *	DF3APBLK	£115.00	DF2APBLK	£83.10
Terra *	DF3APTER	£115.00	DF2APTER	£83.10
Dusk Blue *	DF3APDSK	£115.00	DF2APDSK	£83.10
Sage Green *	DF3APSGN	£115.00	DF2APSGN	£83.10
Manor Green *	DF3APMGN	£115.00	DF2APMGN	£83.10
<b>ARUBA</b>				
Juniper Green	F3APJNP	£96.40	F2APJNP	£69.15
Powder Grey	F3APPOW	£96.40	F2APPOW	£69.15
Mussel	F3APMSL	£96.40	F2APMSL	£69.15
Derwent Blue	F3APDB	£96.40	F2APDB	£69.15
Gloss Dark Clay	F3ARGDC	£96.40	F2ARGDC	£69.15
Oxford Oak	F3APOXO	£96.40	F2APOXO	£69.15
Coniston Blue	F3APCB	£96.40	F2APCB	£69.15
Terra	F3APTER	£96.40	F2APTER	£69.15
White	F3APW	£96.40	F2APW	£69.15
<b>ELAN</b>				
Black	F3APBLK	£96.40	F2APBLK	£69.15
Terra	F3APTER	£96.40	F2APTER	£69.15
Powder Grey	F3APPOW	£96.40	F2APPOW	£69.15
Juniper Grey	F3APJNP	£96.40	F2APJNP	£69.15
Coniston Blue	F3APCB	£96.40	F2APCB	£69.15

# PLINTHS



## 1000MM, 1500MM & 2000MM PLINTHS

### FEATURES

- 1000mm, 1500mm & 2000mm length - cut to size.
- Fully finished edges

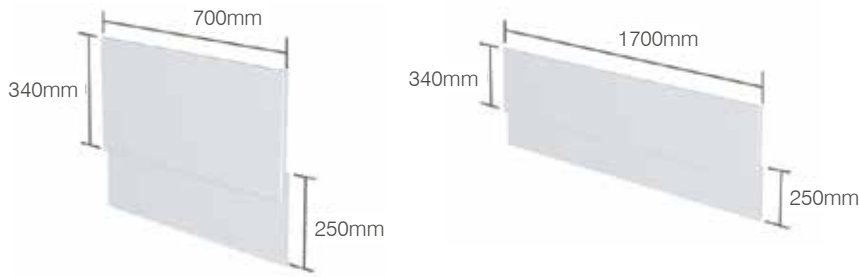
\* Burford plinths have an L-shaped profile to create a framed look in combination with end / filler panels.

Plinth Finish	1000mm Plinth		1500mm Plinth		2000mm Plinth	
BURFORD	CODE	PRICE	CODE	PRICE	CODE	PRICE
Juniper Green *	DFPL10.JNP	£101.00	DFPL15.JNP	£137.00	DFPL20.JNP	£160.50
Coniston Blue *	DFPL10.CB	£101.00	DFPL15.CB	£137.00	DFPL20.CB	£160.50
Derwent Blue *	DFPL10.DB	£101.00	DFPL15.DB	£137.00	DFPL20.DB	£160.50
Chalk White *	DFPL10.CW	£101.00	DFPL15.CW	£137.00	DFPL20.CW	£160.50
Mocha *	DFPL10.MC	£101.00	DFPL15.MC	£137.00	DFPL20.MC	£160.50
Pebble Grey *	DFPL10.PG	£101.00	DFPL15.PG	£137.00	DFPL20.PG	£160.50
Slate Grey *	DFPL10.SG	£101.00	DFPL15.SG	£137.00	DFPL20.SG	£160.50
Black *	DFPL10.BLK	£101.00	DFPL15.BLK	£137.00	DFPL20.BLK	£160.50
Terra *	DFPL10.TER	£101.00	DFPL15.TER	£137.00	DFPL20.TER	£160.50
Dusk Blue *	DFPL10.DSK	£101.00	DFPL15.DSK	£137.00	DFPL20.DSK	£160.50
Sage Green *	DFPL10.SGN	£101.00	DFPL15.SGN	£137.00	DFPL20.SGN	£160.50
Manor Green *	DFPL10.MGN	£101.00	DFPL15.MGN	£137.00	DFPL20.MGN	£160.50

ARUBA						
Juniper Green	FPL10.JNP	£83.10	FPL15.JNP	£101.00	FPL20.JNP	£125.00
Powder Grey	FPL10.POW	£83.10	FPL15.POW	£101.00	FPL20.POW	£125.00
Mussel	FPL10.MSL	£83.10	FPL15.MSL	£101.00	FPL20.MSL	£125.00
Derwent Blue	FPL10.DB	£83.10	FPL15.DB	£101.00	FPL20.DB	£125.00
Gloss Dark Clay	FPL10.GDC	£83.10	FPL15.GDC	£101.00	FPL20.GDC	£125.00
Oxford Oak	FPL10.OXO	£83.10	FPL15.OXO	£101.00	FPL20.OXO	£125.00
Coniston Blue	FPL10.CB	£83.10	FPL15.CB	£101.00	FPL20.CB	£125.00
Terra	FPL10.TER	£83.10	FPL15.TER	£101.00	FPL20.TER	£125.00
White	FPL10.CW	£83.10	FPL15.W	£101.00	FPL20.W	£125.00

ELAN						
Black	FPL10.BLK	£83.10	FPL15.BLK	£101.00	FPL20.BLK	£125.00
Terra	FPL10.TER	£83.10	FPL15.TER	£101.00	FPL20.TER	£125.00
Powder Grey	FPL10.POW	£83.10	FPL15.POW	£101.00	FPL20.POW	£125.00
Juniper Green	FPL10.JNP	£83.10	FPL15.JNP	£101.00	FPL20.JNP	£125.00
Coniston Blue	FPL10.CB	£83.10	FPL15.CB	£101.00	FPL20.CB	£125.00

# BATH PANELS & CORNER POSTS





## 700MM & 1700MM BATH PANELS

### FEATURES

- Nominal height from underside of bath to floor 520mm, this gives plinth height of 180mm to match furniture.
- Plinth can be screwed to panel from rear.
- Maximum height 570mm.

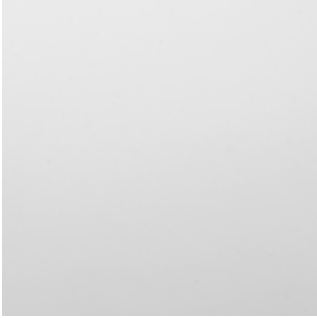
Bath Panel Finish	700mm Bath Panel	1700mm Bath Panel
<b>BURFORD</b>	<b>CODE</b>	<b>CODE</b>
Juniper Green	FBP7.JNP	FBP17.JNP
Coniston Blue	FBP7.CB	FBP17.CB
Derwent Blue	FBP7.DB	FBP17.DB
Chalk White	FBP7.CW	FBP17.CW
Mocha	FBP7.MC	FBP17.MC
Pebble Grey	FBP7.PG	FBP17.PG
Slate Grey	FBP7.SG	FBP17.SG
Black	FBP7.BLK	FBP17.BLK
Terra	FBP7.TER	FBP17.TER
Dusk Blue	FBP7.DSK	FBP17.DSK
Sage Green	FBP7.SGN	FBP17.SGN
Manor Green	FBP7.MGN	FBP17.MGN
<b>ARUBA</b>		
Juniper Green	FBP7.JNP	FBP17.JNP
Powder Grey	FBP7.POW	FBP17.POW
Mussel	FBP7.MSL	FBP17.MSL
Derwent Blue	FBP7.DB	FBP17.DB
Gloss Dark Clay	FBP7.GDC	FBP17.GDC
Oxford Oak	FBP7.OXO	FBP17.OXO
Coniston Blue	FBP7.CB	FBP17.CB
Terra	FBP7.TER	FBP17.TER
White	FBP7.W	FBP17.W
<b>ELAN</b>		
Black	FBP7.BLK	FBP17.BLK
Terra	FBP7.TER	FBP17.TER
Powder Grey	FBP7.POW	FBP17.POW
Juniper Green	FBP7.JNP	FBP17.JNP
Coniston Blue	FBP7.CB	FBP17.CB
<b>£140.50</b> each		<b>£351.00</b> each

Bath Panel Corner Posts	Finish	Code
<b>CORNER POSTS</b>		
  <ul style="list-style-type: none"> <li>Use on ends of bath panels to increase length of panel</li> <li>from 1700mm to 17500mm, 1800mm etc to suit different bath sizes.</li> <li>Allows neat joint between front and end panels.</li> <li>Cut to height of bath.</li> </ul>	Juniper Green Powder Grey Black Coniston Blue Derwent Blue Mussel Chalk White Mocha Pebble Grey Slate Grey Gloss Dark Clay White Terra Dusk Blue Sage Green Manor Green	FBBCP6.JNP FBBCP6.POW FBBCP6.BLK FBBCP6.CB FBBCP6.DB FBBCP6.MSL FBBCP6.CW FBBCP6.MC FBBCP6.PG FBBCP6.SG FBBCP6.GDC FBBCP6.W FBBCP6.TER FBBCP6.DSK FBBCP6.SGN FBBCP6.MGN
<b>£88.50</b> each		

# STRATA SOLID SURFACE WORKTOPS

---

Strata worktops are an ideal solution for those wishing for an aspirational look & feel of solid surface material.



Arctic White



Ice White



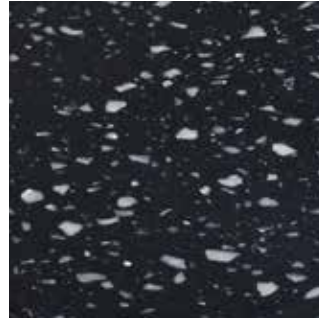
Carrara



Grey Quartz



Dark Quartz



Galactic Black

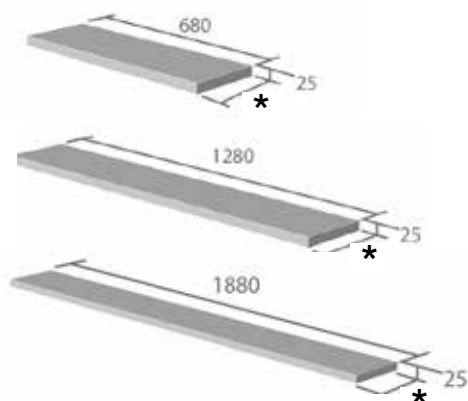


We recommend a 10mm overhang at each end of the of the worktop when choosing a length.





# WORKTOPS - STRATA SOLID SURFACE



## STANDARD / SLIM DEPTH SOLID SURFACE WORKTOPS

### FEATURES

- Can be cut to any size / shape.
- Supplied with front and ends factory finished.
- 3mm edge profile.
- Recommended 10mm overhang each end of worktop when choosing a length.

- \* Standard worktop depth 365mm
- \* Slim depth worktop depth 230mm

Solid Surface Worktop Finish	Standard Depth	Slim Depth
<b>680MM SOLID SURFACE WORKTOP</b>		
Carrara	F3W6A.CA	F2W6A.CA
Arctic White	F3W6A.AR	F2W6A.AR
Ice White	F3W6A.IW	F2W6A.IW
Dark Quartz	F3W6A.DQ	F2W6A.DQ
Galactic Black	F3W6A.GA	F2W6A.GA
Grey Quartz	F3W6A.GQ	F2W6A.GQ
<b>£264.00</b> each		<b>£202.00</b> each

<b>1280MM SOLID SURFACE WORKTOP</b>		
Carrara	F3W12A.CA	F2W12A.CA
Arctic White	F3W12A.AR	F2W12A.AR
Ice White	F3W12A.IW	F2W12A.IW
Dark Quartz	F3W12A.DQ	F2W12A.DQ
Galactic Black	F3W12A.GA	F2W12A.GA
Grey Quartz	F3W12A.GQ	F2W12A.GQ
<b>£477.00</b> each		<b>£334.00</b> each

<b>1880MM SOLID SURFACE WORKTOP</b>		
Carrara	F3W18A.CA	F2W18A.CA
Arctic White	F3W18A.AR	F2W18A.AR
Ice White	F3W18A.IW	F2W18A.IW
Dark Quartz	F3W18A.DQ	F2W18A.DQ
Galactic Black	F3W18A.GA	F2W18A.GA
Grey Quartz	F3W18A.GQ	F2W18A.GQ
<b>£610.00</b> each		<b>£485.00</b> each

## Strata Solid Surface Worktop Adhesive

### STRATA 2 PART CLEAR GLUE FOR SOLID SURFACE WORKTOPS



- 2 part clear glue cartridge adhesive with nozzle for Strata worktops.
- Supplied with applicator - no need for specialist adhesive gun.

FSG.CL

**£57.10**

# LAMINATE WORKTOPS

---

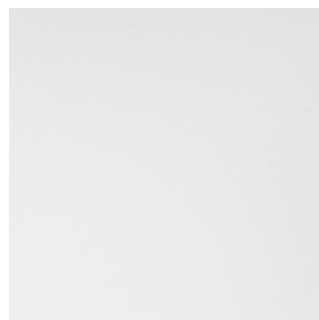
High quality and durable, our range of laminate worktops will add style to your bathroom.



Massa Marble



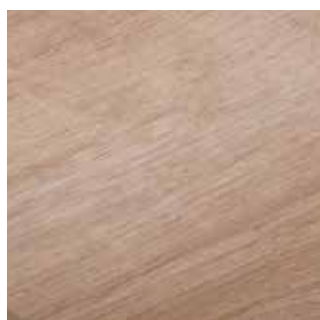
Portland Stone



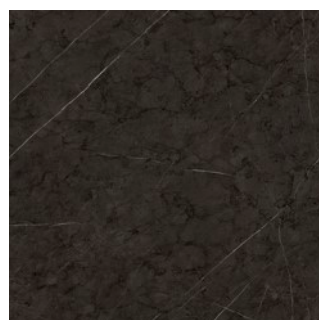
White



Venato Marble



Natural Oak



Black Marble



Riven Slate



Black Granite

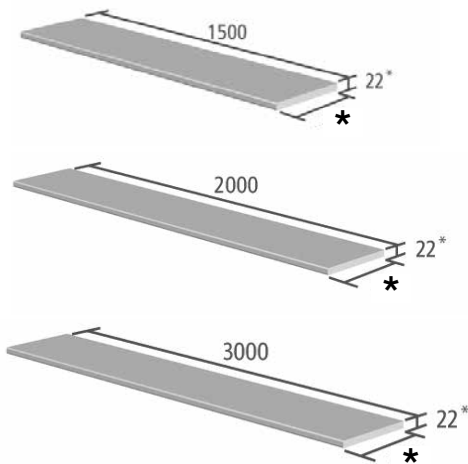


Matt White Sparkle



We recommend a 10mm overhang at each end of the of the worktop when choosing a length.

# WORKTOPS - LAMINATE



## STANDARD / SLIM DEPTH LAMINATE WORKTOPS

### FEATURES

- 22mm thickness with a 6mm edge radius.
- Edge banded both ends and supplied with extra edge banding to use when cut down.
- Sealed under front profile to prevent water ingress.
- Recommended 10mm overhang each end of worktop when choosing a length.

- \* Standard worktop depth 365mm
- \* Slim depth worktop depth 230mm

Laminate Worktop Finish	Standard Depth		Slim Depth	
<b>1500MM LAMINATE WORKTOP</b>	<b>CODE</b>	<b>PRICE</b>	<b>CODE</b>	<b>PRICE</b>
Massa Marble	F3W1524.MM	£154.50	F2W1524.MM	£129.50
Portland Stone	F3W1524.PS	£154.50	F2W1524.PS	£129.50
White	F3W1524.W	£154.50	F2W1524.W	£129.50
Black Granite	F3W1524.BG	£154.50	F2W1524.BG	£129.50
Riven Slate	F3W1524.SL	£154.50	F2W1524.SL	£129.50
Venato Marble	F3W1524.VM	£154.50	F2W1524.VM	£129.50
Natural Oak	F3W1524.OK	£154.50	F2W1524.OK	£129.50
Black Marble	F3W1524.KM	£154.50	F2W1524.KM	£129.50
Matt White Sparkle	F3W1524.MS	£154.50	F2W1524.MS	£129.50
<b>2000MM LAMINATE WORKTOP</b>	<b>CODE</b>	<b>PRICE</b>	<b>CODE</b>	<b>PRICE</b>
Massa Marble	F3W2024.MM	£190.00	F2W2024.MM	£166.00
Portland Stone	F3W2024.PS	£190.00	F2W2024.PS	£166.00
White	F3W2024.W	£190.00	F2W2024.W	£166.00
Black Granite	F3W2024.BG	£190.00	F2W2024.BG	£166.00
Riven Slate	F3W2024.SL	£190.00	F2W2024.SL	£166.00
Venato Marble	F3W2024.VM	£190.00	F2W2024.VM	£166.00
Natural Oak	F3W2024.OK	£190.00	F2W2024.OK	£166.00
Black Marble	F3W2024.KM	£190.00	F2W2024.KM	£166.00
Matt White Sparkle	F3W2024.MS	£190.00	F2W2024.MS	£166.00
<b>3000MM LAMINATE WORKTOP</b>	<b>CODE</b>	<b>PRICE</b>	<b>CODE</b>	<b>PRICE</b>
Massa Marble	F3W3024.MM	£386.00	-	-
Portland Stone	F3W3024.PS	£386.00	-	-
White	F3W3024.W	£386.00	-	-
Black Granite	F3W3024.BG	£386.00	-	-
Riven Slate	F3W3024.SL	£386.00	-	-
Venato Marble	F3W3024.VM	£386.00	-	-
Natural Oak	F3W3024.OK	£386.00	-	-
Black Marble	F3W3024.KM	£386.00	-	-
Matt White Sparkle	F3W3024.MS	£386.00	-	-

# BASINS WITH INTEGRATED WORKTOPS

Expertly moulded into a single piece, our basins with integrated worktops strike the perfect balance between form & function.



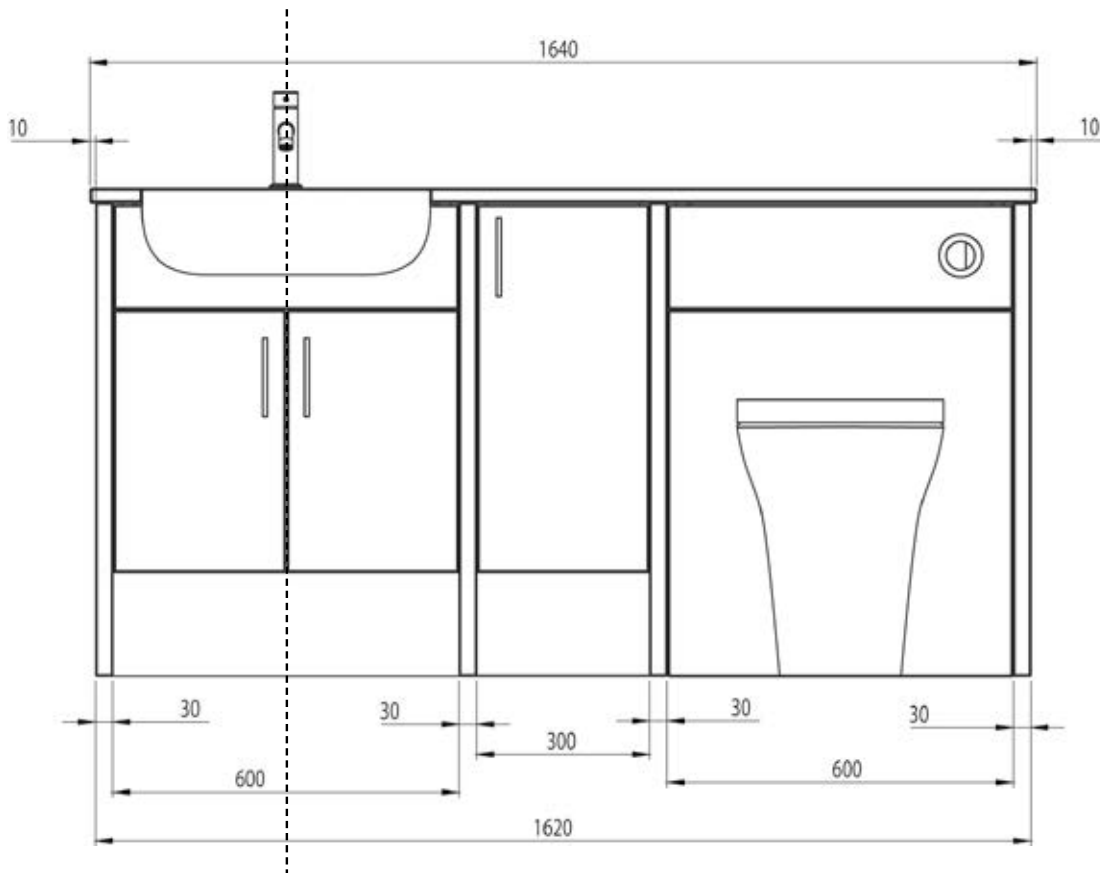
City Basin



Standard Depth Motif Basin



Slim Depth Motif Basin




## BASINS WITH INTEGRATED WORKTOPS

Motif and City basins feature integrated worktops that are 1640mm in length and designed to fit on a maximum furniture width of 1620mm, including end panels. This allows 10mm overhang at each end. It is also critical that the basin bowl is positioned centrally on the semi-countertop furniture unit.

Please check carefully that your furniture selection will fit.

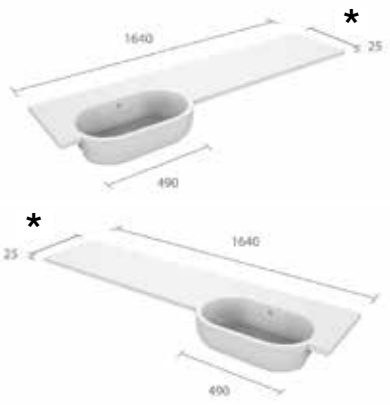


# BASINS WITH INTEGRATED WORKTOPS

City Solid Surface Basin & Integrated Worktop		Finish	Code
<b>1640MM CITY SOLID SURFACE WORKTOP WITH INTEGRATED BASIN - 25MM THICK</b>			
	<ul style="list-style-type: none"> <li>To be used with 600mm semi-countertop units only with a maximum furniture run of 1620mm including end panels.</li> <li>Solid surface basin can be used left or right handed.</li> <li>Can be cut to any length to suit furniture.</li> <li>Undrilled to allow choice of tap position.</li> <li>Integral overflow.</li> <li>Recommended 10mm overhang each end of worktop when choosing a length.</li> </ul>	White	C3WTBAS

**£875.00** each

Motif Solid Surface Basin & Integrated worktop	Finish	Standard Depth	Slim Depth
--	--------	----------------	------------

<b>1640MM MOTIF STANDARD / SLIM DEPTH LEFT OR RIGHT HAND BASINS - 25MM THICK</b>				
	<ul style="list-style-type: none"> <li>To be used with 600mm semi-countertop units only with a maximum furniture run of 1620mm including end panels.</li> <li>Solid surface basin.</li> <li>Left or right handed option available.</li> <li>Can be cut to any length to suit furniture.</li> <li>Undrilled to allow choice of tap position.</li> <li>Integral overflow.</li> <li>Recommended 10mm overhang each end of worktop when choosing a length.</li> </ul> <p>* Standard worktop depth 365mm * Slim depth worktop depth 230mm</p>	White White	MTF3BAS.L MTF3BAS.R	MTF2BAS.L MTF2BAS.R

**£960.00** each    **£780.00** each

Overflow Trims	Finish	Code
----------------	--------	------

<b>OVERFLOW TRIMS</b>		
 <ul style="list-style-type: none"> <li>Coordinate with brassware and handles.</li> <li>Chrome trims are provided as standard.</li> </ul> <p>* Specify at time of ordering</p>	<ul style="list-style-type: none"> <li>* White</li> <li>* Black</li> <li>* Brushed Brass</li> </ul>	OVC22WT OVMCBK OVMCA
<b>£10.50 each</b>		



## PLANNING TIPS AND ADVICE

---

### LOCATING THE PRINCIPLE ITEMS

Wherever possible, try and install your WC, basin, bath and/or shower in a similar position to that in your current bathroom in order to minimise installation time and costs.

### PLANNING - KEY STEPS

- Measure your bathroom and draw out a plan, to scale if possible.
- Make reference to where all services are located including soil pipes and water inlets.
- Ensure all dimensions of heights/widths of windows and radiator positions are marked up on your plan.
- Take note of the direction the door opens as this could affect your layout. If it is a hindrance, your door could easily be re-hung by a professional to allow more flexibility.

Once you have the outline of your bathroom, you can experiment by placing different units within your plan. See pages 14-15 for full details of the different sized units available. If you have an odd space at one end of a run of furniture, for example if fitting between two walls or a wall and a bath, then filler panels can be used. The worktop can run across the top of the furniture between the two walls to create a continuous look. Our storage shelf units are supplied in a flat pack format, allowing your installer to cut down the width of the shelves and base components from the nominal 300mm width so that the unit can be customised to suit any size.

When you are happy with your initial design layout, take it to your Roper Rhodes stockist. Your retailer may come up with some further design ideas which may help inspire you.

### CORNERS

If due to the size of your room there is an odd space, then two pieces of filler panel can be used to space the units as necessary.

Worktops can be fitted together on top of your corner configuration using a mason's mitre jig and worktop jointing bolts. Your bathroom fitter will be able to advise further.

### WC UNITS

The use of a WC unit and concealed cistern can create a clean uncluttered look for your bathroom. Dual flush concealed cisterns available from us operate by a pneumatic push button which can be sited in the front removable fascia of the WC unit, or on the top of the unit if desired. \* Our WC units feature a panel which goes to the floor, removing the need for unsightly filler blocks that are sometimes used to fill the void between the back to wall WC pan and the plinth. As a consequence, it is recommended that when fitting commences, the WC unit height is set first with the other units running off. If the floor of the installation is uneven, then the main fascia panel can be scribed to fit.

If a wall hung WC pan is required, then a suitable supporting frame must be used see page 101. Never fit a wall hung pan directly to the fascia of a WC unit only. Speak to your retailer for more details on compatibility.

### BASINS

Our semi-countertop basins are available in both slim and standard depth formats and can be mounted on both laminate and solid surface worktops by an experienced fitter.

### SLIM DEPTH FURNITURE

The key units within our Fitted Furniture range are available in both standard and slimline formats. Using slimline furniture in small ensuites or cloakrooms can help maintain vital space in the room without sacrificing bathroom storage.

\* Only with standard depth WC units. Flush buttons can only be installed on the front fascia of slimline units.

## PLANNING TIPS AND ADVICE

### CONCEALING PIPEWORK

One of the benefits of using our Fitted Furniture is that unsightly pipework can run along skirting boards and walls whilst being concealed behind the units. The furniture is designed with a plinth height of 180mm, which means that even soil pipes can run under the units.

All standard depth base units feature a generous 50mm void at the back, which allows waste pipes and copper pipes to run along the walls whilst being concealed behind the units. Your fitter will only have to notch out the side panel of the unit where the pipe traverses. In addition to the 50mm pipe void, basin units in both slim and standard depth configurations feature a removable back panel to aid the installation process. (See diagrams below).

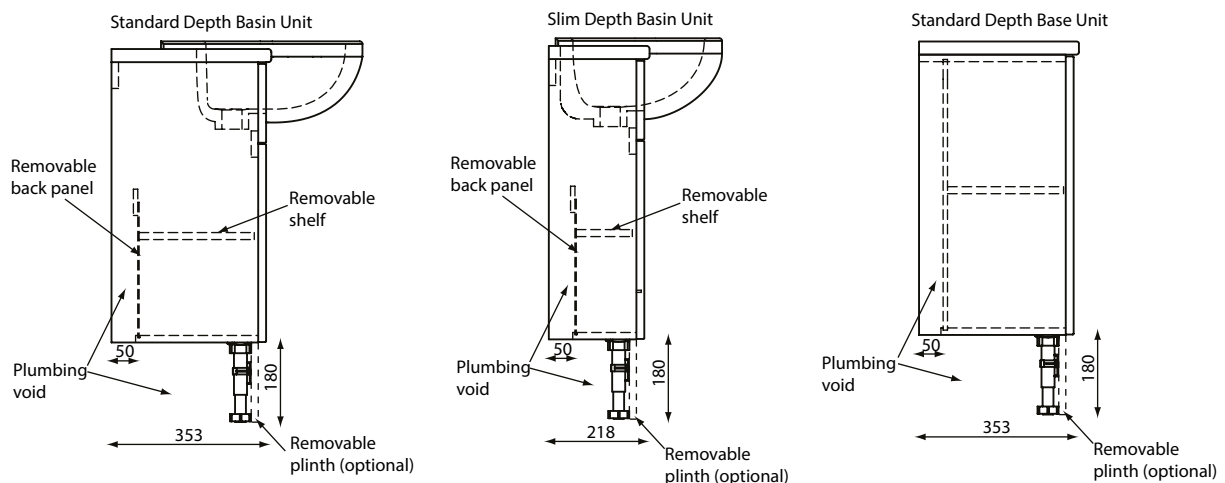
### ELECTRICS & CHARGER POINT DETAILS

When planning your bathroom, note where any lighting or electrical supply cables are situated. It may be necessary to move these. It is advised that this work is done after the old bathroom fittings are removed but before the new installation begins. Always use a qualified electrician for any work carried out in a bathroom. Your retailer may be able to advise when to schedule an electrician, or consult your fitter or electrician for more advice. Please note that Roper Rhodes cannot give specific advice on electrical installations.

When planning where to locate lighting, it is vital that the IP rating of the device is taken into account as this will affect which zone of the bathroom the fitting can be located in. Your electrician will be able to advise further on bathroom zones and which electrical appliances can be sited where. Remember to allow for the provision of switching for any new lighting.

It is recommended that, whilst you are at the planning stage, you make an allowance for the installation of a suitable extractor fan to remove excess water from the atmosphere. After the furniture has been fitted, plan for an electrician to come back and install light fittings or electrical devices which are used.

### PLUMBING VOIDS



# PLANNING TIPS AND ADVICE

## FILLER PANELS

Filler panels are available to fill gaps at the ends of runs of furniture and to clad ends of furniture for a perfect match.

## CLAD-ON DESIGN END PANELS

Clad-on design end panels are available in slim and standard depth configurations and are 30mm thick (depending on the finish, see pages 136-139 for further information). Give a different style to your bathroom design by cladding these to the sides of units for a framed look. Design panels are 820mm tall, allowing them to run from the floor to the underside of the worktop if necessary. They can be cut down if base units are wall hung. The slim design panels can also be cut down to be used with wall cabinets or wall cupboards.

You can achieve very different effects by contrasting the panels and fascias of units. Matching colours between doors and accent panels creates a subtle yet 'solid framed' look.

## HANDLES

The comprehensive range of handles in our range allows a multitude of looks to be created. Move them into different positions on the door, or change their orientation, to create the look you want on your furniture.

Please note that all doors will require your fitter to drill and fit your handles so that you can position them exactly where you want.

**Products with a brass finish** may not match exactly due to variations in the brass alloy composition, differences in finishing techniques, natural aging processes causing patina and the lighting they are compared in. Imagery shown in this brochure are representative only.

## BATH PANELS

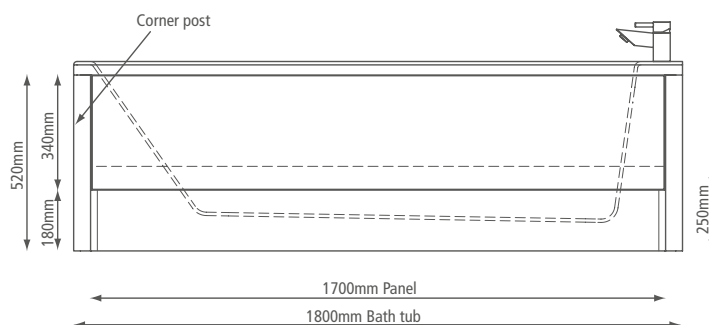
Designed to complement all door styles. Both front and end panels are supplied with a matching plinth which allows for adjustment depending on site conditions. To achieve a continuous look between the furniture and the bath panel, it is recommended that the panel is set at a height of 520mm, so that a plinth height of 180mm is achieved.

Note: Once installed all bath panels must be sealed along the top, bottom and sides with a suitable silicone sealant to prevent damage from excessive moisture.

## CORNER POSTS (FOR BATH PANELS)

Designed to provide a neat joint on an exposed corner of a bath between front and end panels. The corner posts can also be used to allow larger sized bath tubs to be accommodated with the panels available in the range. A corner post will add 50mm in length to a panel, so using two corner posts would allow an 1800mm tub to be installed.

**Please note: Corner posts only available for painted finishes.**









*Keeping in touch*

## CUSTOMER SERVICE & AFTERCARE

As one of the UK's largest suppliers of bathroom furniture & accessories, we set very high standards in design, manufacture & service. We also invest heavily in product improvement & innovation. By choosing Roper Rhodes, you can be confident that your product is of unrivalled quality.



### OUR BROCHURES

Explore the rest of the Roper Rhodes collection with our core Bathroom Book and dedicated Lighting, Mirrors & Cabinets brochures. Ask your local retailer for a copy or visit our website to order or download one.

[roperrhodes.co.uk/brochures](http://roperrhodes.co.uk/brochures)



### RETAILERS

Roper Rhodes products are available to view at our selected specialist stockists throughout the UK and Ireland. Head over to our website now to find your nearest supplier.

[roperrhodes.co.uk/stockists/](http://roperrhodes.co.uk/stockists/)



### SWATCH SAMPLE SERVICE

Our free swatch sample service is designed to help you make the right finish choices for your home. If you would like a sample of any of our finishes please visit our website and fill in the sample request form.

[roperrhodes.co.uk/swatches](http://roperrhodes.co.uk/swatches)

Alternatively you will find displays of our furniture and colour samples of finishes and worktops at our specialist retailers across the UK and Ireland.



### WEBSITE

Visit our website to find even more inspiration for your next bathroom project, with detailed guides and inspiring articles. Here you can also find technical details for all our products, as well as access our customer service team and list of stockists.

[roperrhodes.co.uk](http://roperrhodes.co.uk)



## HOW TO CONTACT US

If you need to contact us, our experienced in-house customer service team has a wealth of knowledge about our products.

01225 303900

sales@roperrhodes.co.uk

Monday to Thursday - 8:00am - 5:30pm

Friday - 8:00am - 5:00pm

## DELIVER

We will make every effort to supply all products ordered in as short a lead time as possible. Our standard delivery is three days. Should you require next day delivery this can be arranged. Our Fitted Furniture must be installed by a qualified fitter. In the unlikely event that your product is damaged or faulty in any way, this must be notified on receipt, and must not under any circumstances be fitted. Time must be allowed between delivery and installation for checking items and the delivery of subsequent replacements. Damaged parts will be replaced with a spare part where possible, complete exchanges will only be made where it is not practical to do so. We shall not be liable for any further unfitting/refitting costs or financial compensation. Components/products that are deemed defective as a result of incorrect or substandard installation or improper or negligent use will be excluded from any guarantee claim. Roper Rhodes Ltd reserve the right to amend specifications at any time if an opportunity to further improve the product occurs.

Doors and fascias are supplied separately to the furniture units, to prevent them from being damaged during the installation process. Doors are simply fixed by your fitter screwing the necessary hardware to the backs of the doors or fascias and simply clicking into place on the relevant hinge plate inside the unit. All units are supplied assembled with the exception of the storage shelf units (which can be modified if necessary to fit a smaller gap).

## INSTALLATION

Our bathroom furniture is designed for use within domestic installations which are adequately ventilated. As with any timber product, bathroom furniture will be adversely affected if it is subjected to excessive moisture. It is strongly recommended that adequate bathroom extractor fans are installed to prevent heavy condensation and all splashes and spillages must be mopped dry as soon as possible. All exposed or cut surfaces must be sealed with a suitable varnish or silicone sealant to prevent blowing. If this is not done, all guarantee claims will be void. In particular, silicone sealant must be used around basins and worktop joints, and around all edges of bath panels and plinths if the sealer strip is not utilised. All electrical products should be installed by an approved electrician in line with current wiring regulations. Guarantees are for domestic use only and not transferable.

## PRODUCT SPECIFICATION

The furniture colours shown in this brochure are representative only and can be affected by a multitude of factors such as lighting and surrounding items. If you are unsure we would recommend obtaining a swatch.

All timber finishes featured within this brochure are timber effect. Please note that there may be some slight variation between carcasses, doors and worktops due to different manufacturing techniques used.

All dimensions are approximate, especially with ceramic sanitaryware where a tolerance of +/- 2% must be allowed.

Products with a brass finish may not match exactly due to variations in the brass alloy composition, differences in finishing techniques, natural aging processes causing patina and the lighting they are compared in. Imagery shown in this brochure are representative only.

## ACKNOWLEDGEMENTS

Viewpoint photography - viewpoint-photography.co.uk - 01761 420841

Porcelanosa - porcelanosa.co.uk - 0800 915 4000

Mandarin Stone - mandarinstone.com - 01600 715 444

Ca'Pietra by Optimum Stone showroom - capietra.com - 01252 843388

Topps Tiles - toppstiles.co.uk

House of Hackney - houseofhackney.com - 0207 062 6128

Tiles Direct - tiles-direct.com - 0113 253 0005

Bauwerk Colour - bauwerkcolour.com

Flooring Supplies - flooringsupplies.co.uk - 01603 385273

Claybrook - claybrookstudio.co.uk - 020 7052 1555

Intmarble - intmarble.com







ROPER RHODES®  
BATH

Brassmill Lane Trading Estate, Bath, BA1 3JF  
RRFFMAY24